

eurotech

LUXURY SHOWER DOORS

AVALON

EUROGLIDE FRAMELESS SINGLE SLIDING SHOWER DOOR

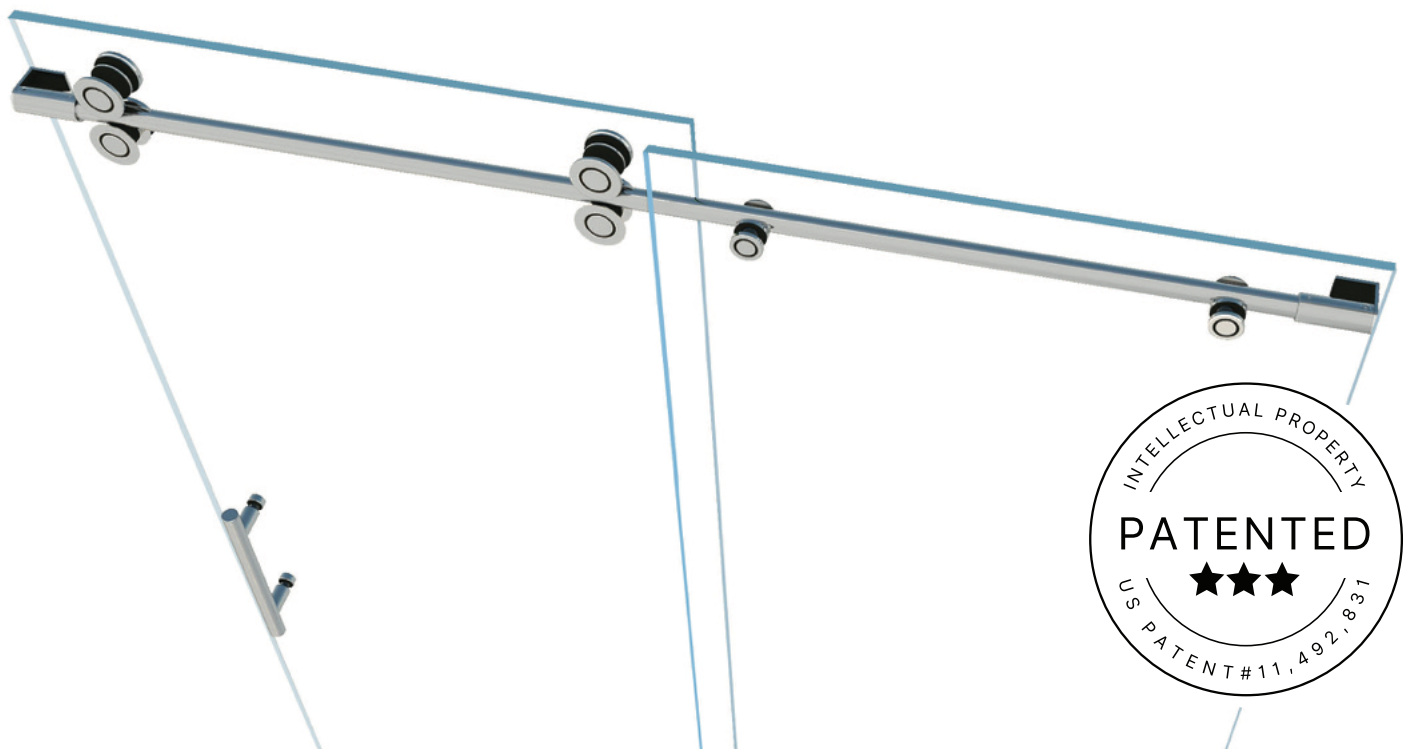


Eurotech Showers

23532 Commerce Center Dr.,
Building B
Laguna Hills, CA 92653
949-716-4099
eurotechshowers.com

FEATURES

- 304 stainless steel hardware
- (2) 60mm dual sided rollers
- (2) 60mm dual sided anti-jump pins
- Innovative compression fit, fixed panel brackets which allow for no holes in your header
- Up to 3/8" out of plumb adjustability
- Door grippers incorporated into wall brackets
- 4 configurations
- 12" ladder style handle with knob on backside
- Standard 3/8" (10mm) clear tempered glass with optional ultra-clear (low iron) tempered glass
- Enduroshield treatment to reduce cleaning time by up to 90%



FINISHES



Polished Stainless

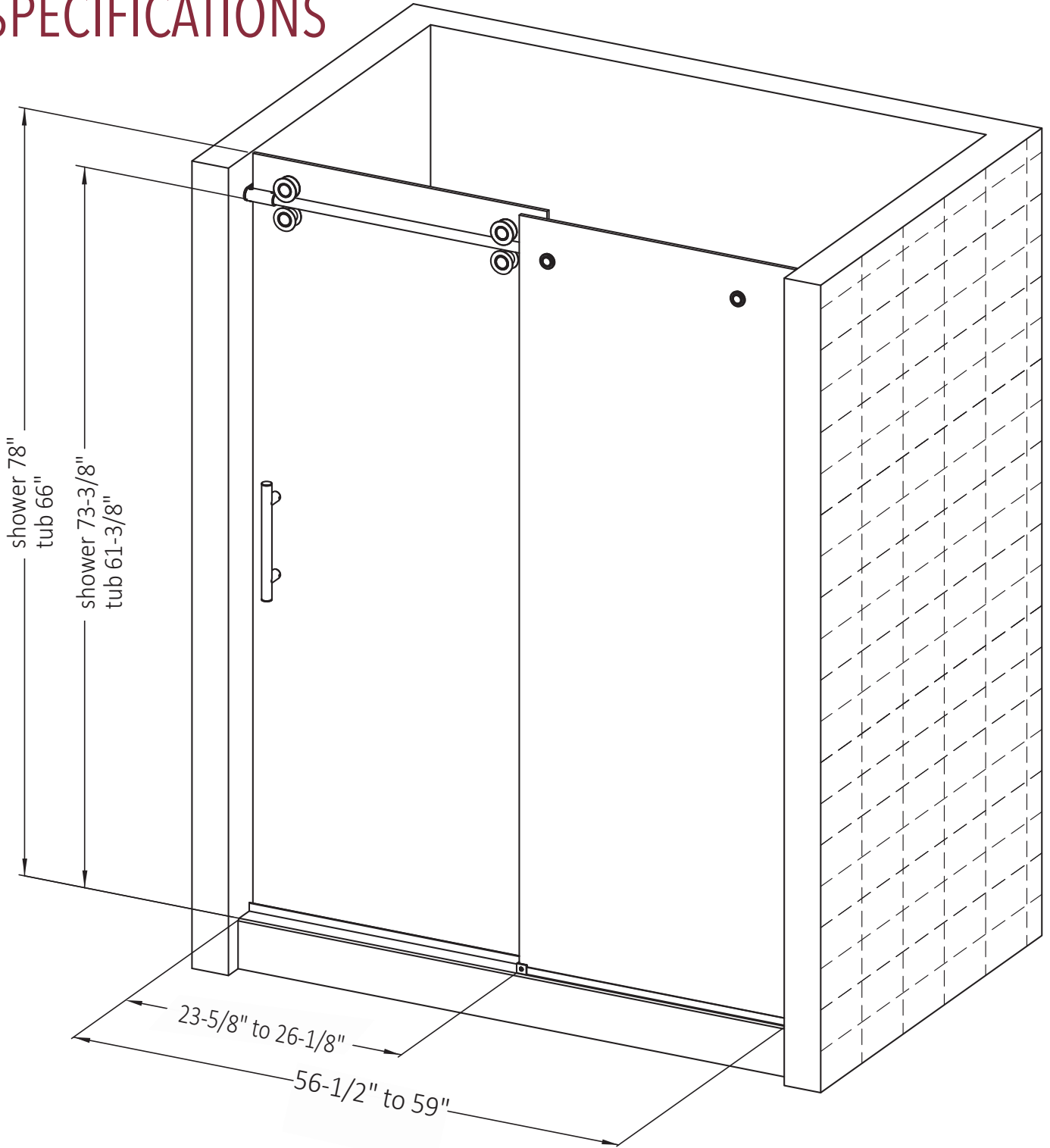


Matte Black



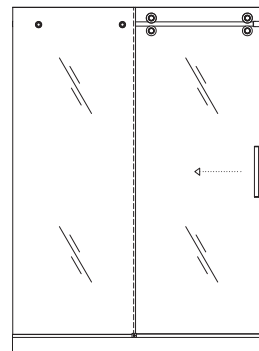
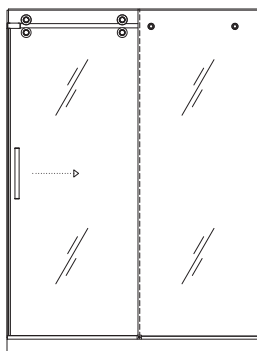
Brushed Stainless

SPECIFICATIONS

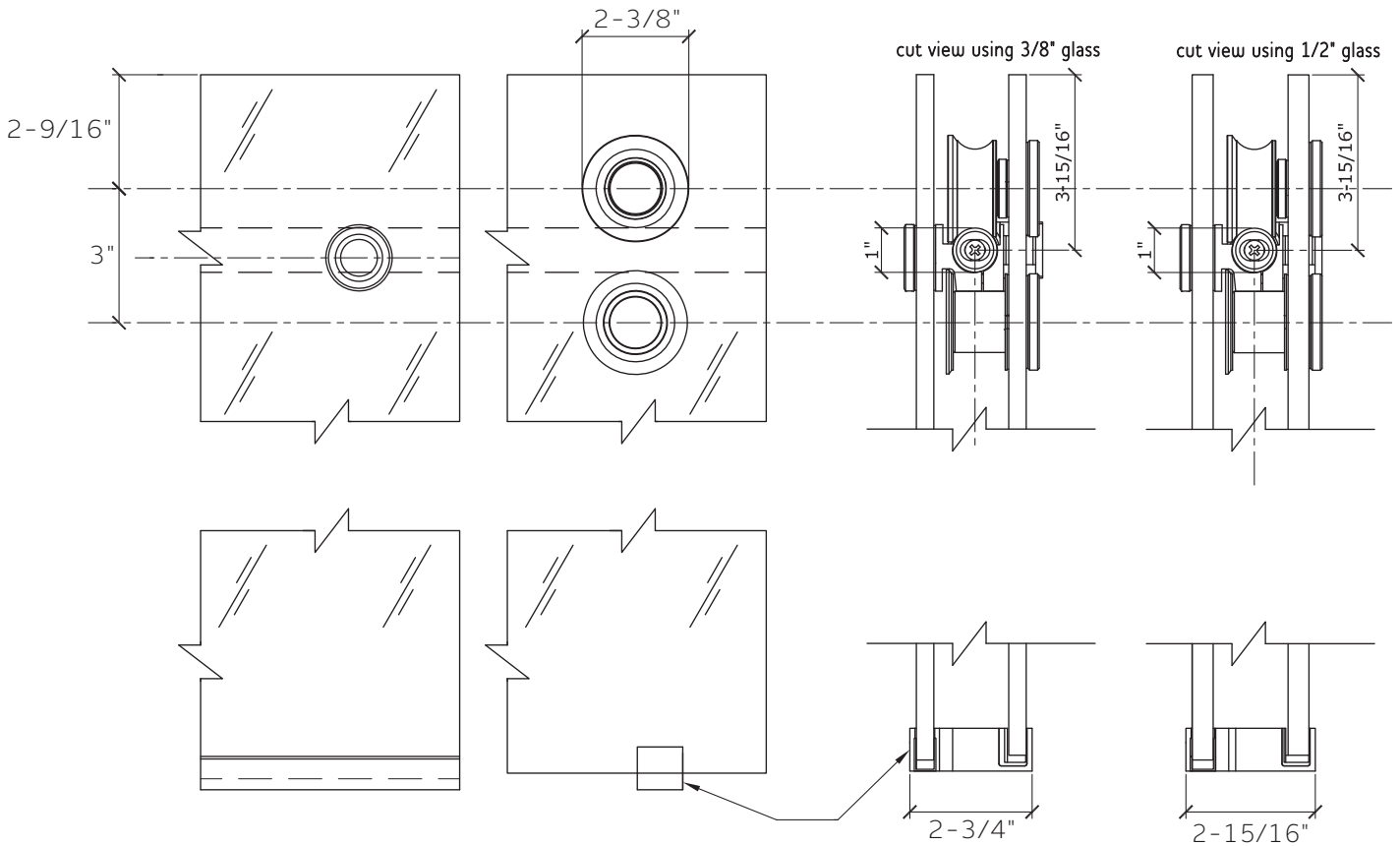


CONFIGURATIONS

exterior or interior door capability

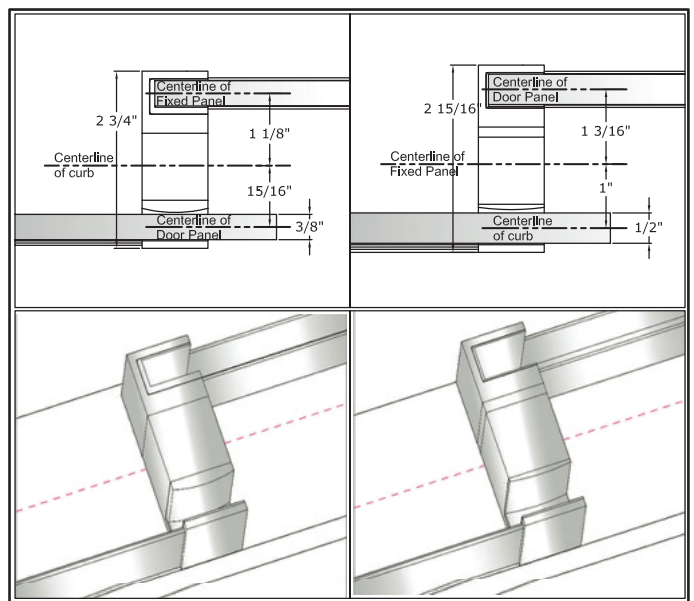
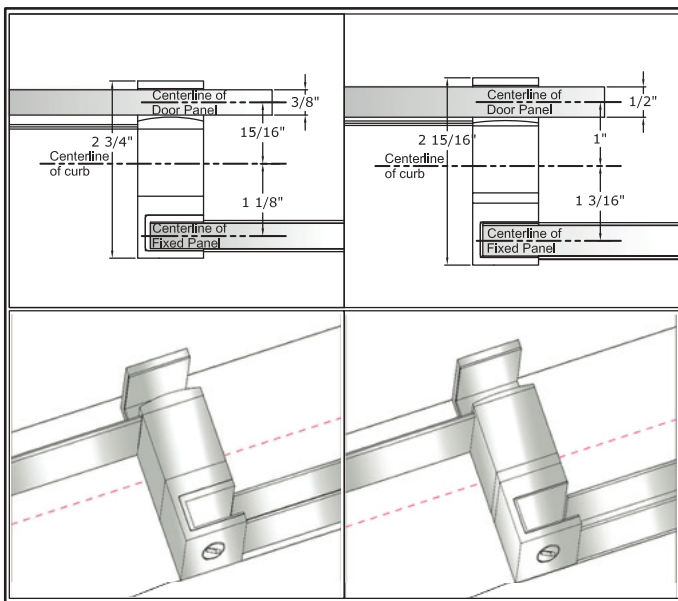


SPECIFICATIONS



FOOTPRINT FOR DOOR ON INSIDE USING POLYCARBONATE L-SEAL

FOOTPRINT FOR DOOR ON OUTSIDE USING POLYCARBONATE L-SEAL



PARTS LIST

- 1) wall bracket
- 2) roller
- 3) fixed panel holder
- 4) track
- 5) stopper
- 6) door panel
- 7) fixed panel
- 8) handle
- 9) bottom guide
- 10) V-seal
- 11) aluminum u-channel
- 12) L-seal

