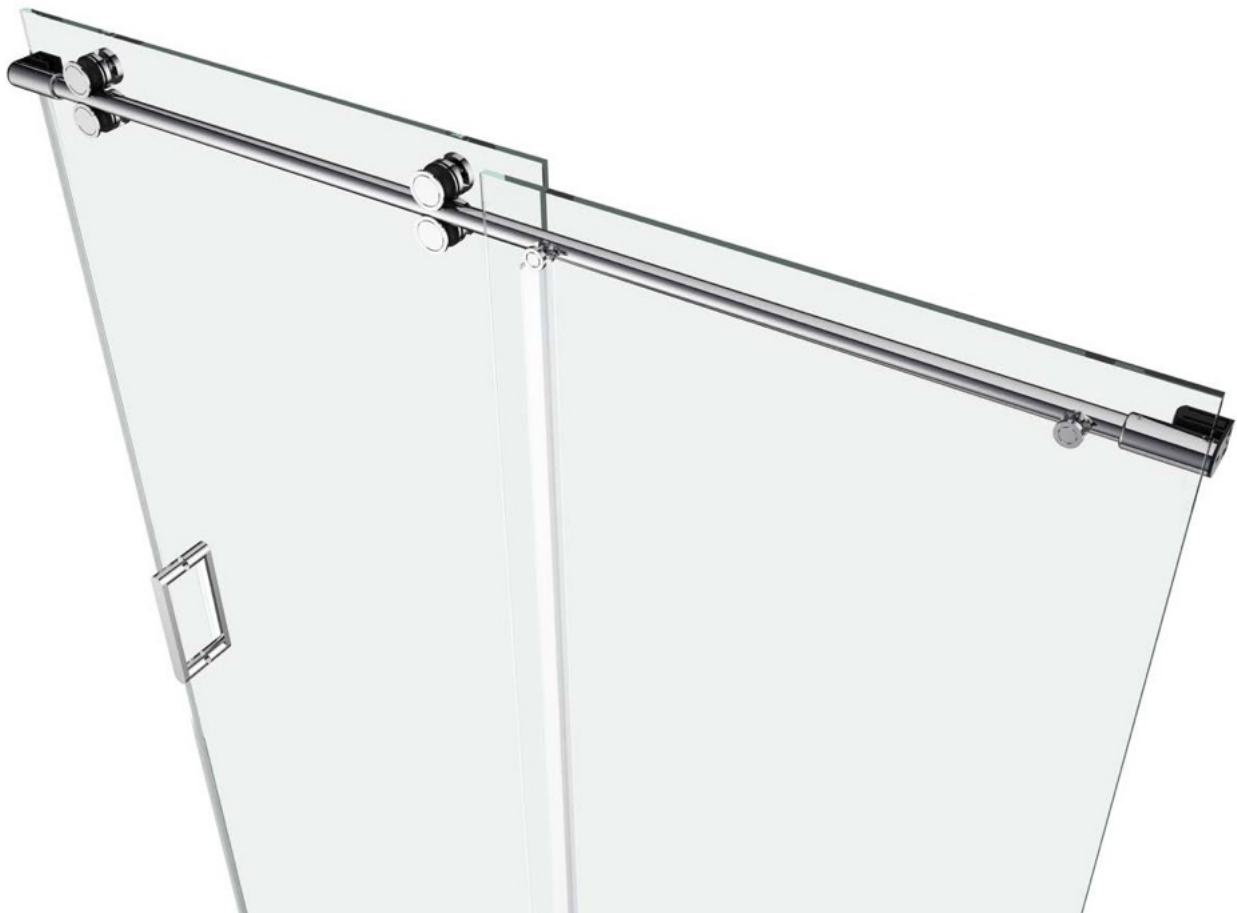


eurotech

LUXURY SHOWER DOORS

ROMA

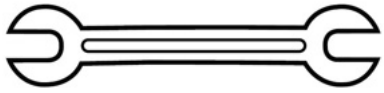
EUROGLIDE FRAMELESS SINGLE SLIDING SHOWER DOOR



Eurotech Showers

23532 Commerce Center Dr
Building B
Laguna Hills, CA 92653
949-716-4099
eurotechshowers.com

SUPER EASY INSTALL

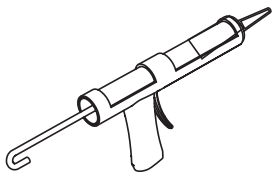


eurotech
LUXURY SHOWER DOORS

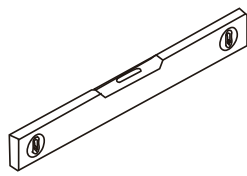


HARDWARE FITS UP TO 72" WIDE OPENING

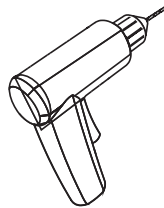
Tools Required



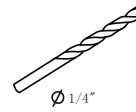
Silicone



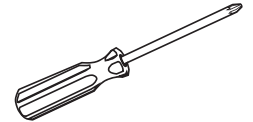
Level



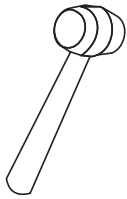
Drill



Masonry Bit



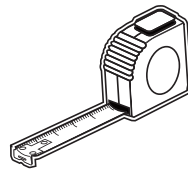
Screwdriver
(Phillips)



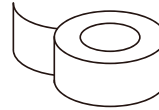
Mallet



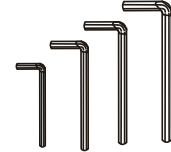
Pencil



Tape Measurer



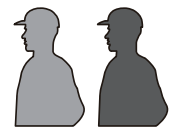
Painters
Tape



Allen Wrenches
(included)

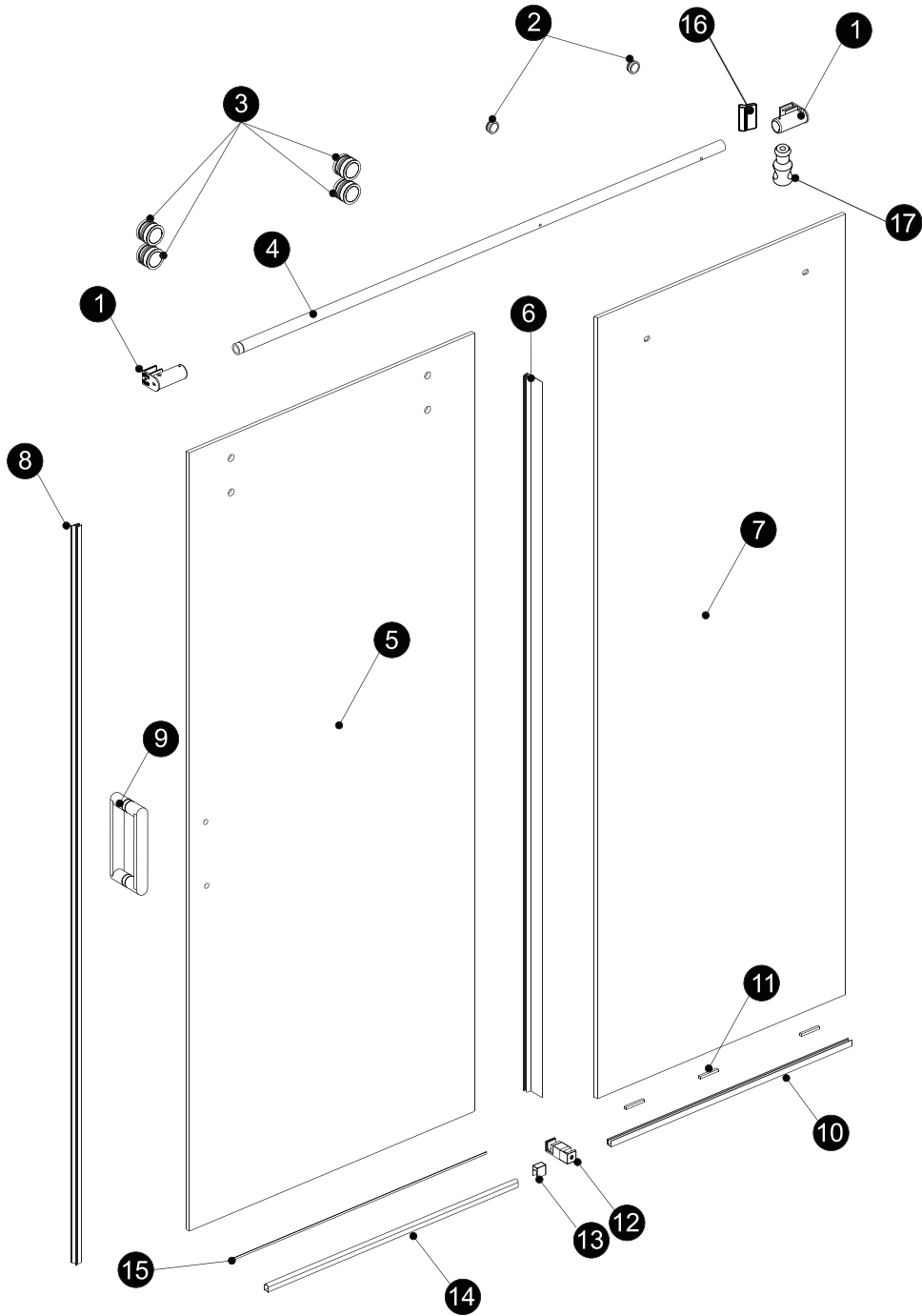


This product is heavy and may require two people to install.



Congratulations on your purchase of your Eurotech Shower door, making your shower dreams come to life.

◆ Assembly Drawing



PACKING LIST

PART #	DESCRIPTION	Q'TY	PART #	DESCRIPTION	Q'TY
1	Wall Bracket	2pcs	10	Aluminium Bottom U Channel	1pc
2	Fixed Panel Holders	2pcs	11	1/4" Cushions	3pcs
3	Roller	4pcs	12	Bottom Guide	1pc
4	Track	1pc	13	End Block	1pc
5	Door Panel	1pc	14	Aluminium Water Guard	1pc
6	F Seal	1pc	15	L Seal	1pc
7	Fixed Panel	1pc	16	Safety Bumper	1pc
8	V Seal	1pc	17	Stopper	1pc
9	Handle	1pc			



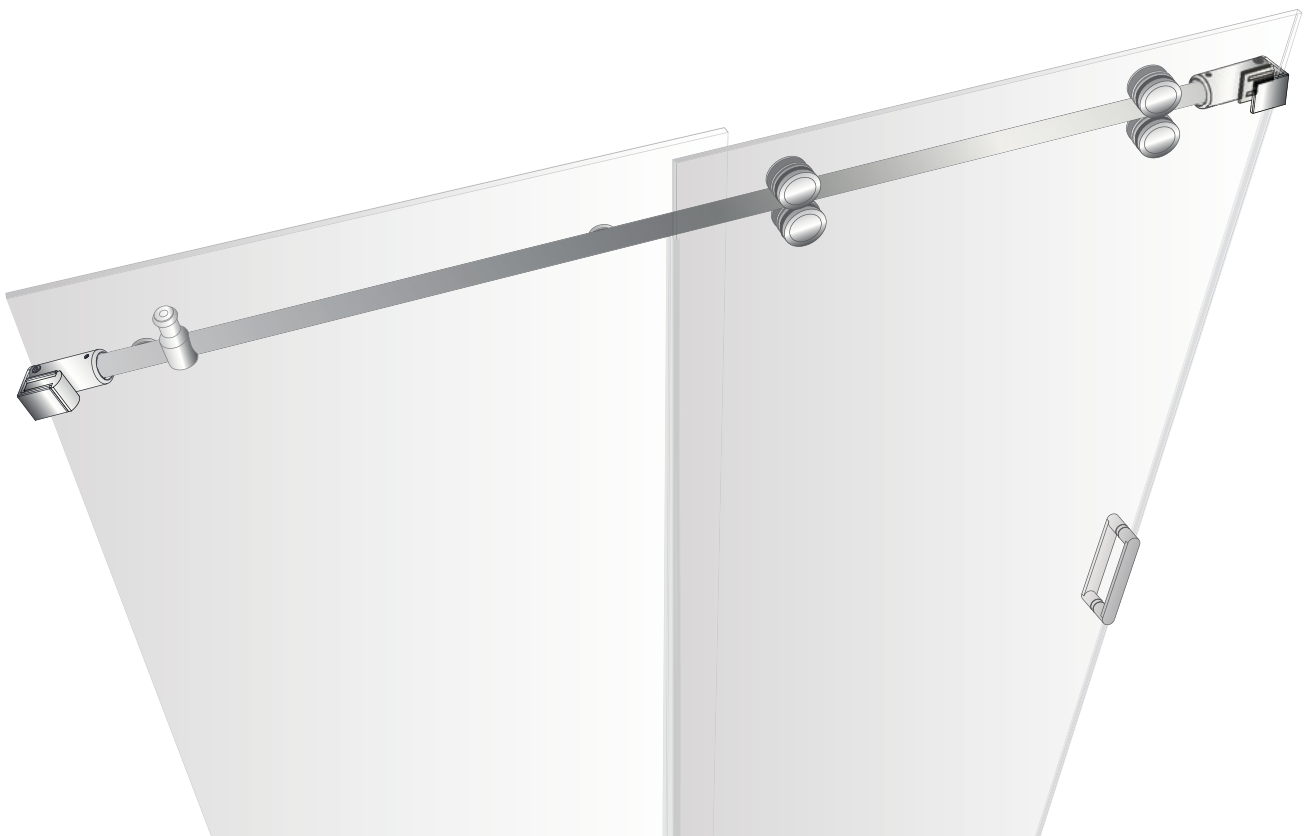
Door inside left
*this configuration is illustrated in manual



Door outside left

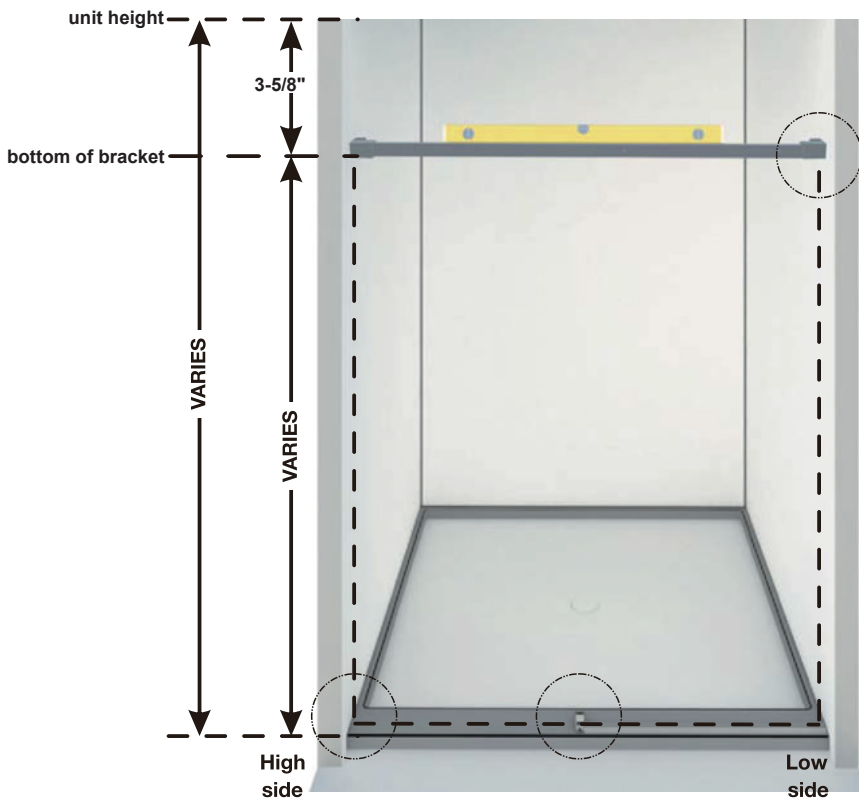


Door inside right

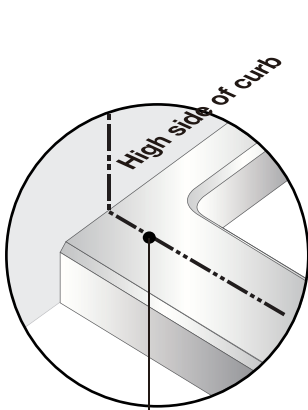
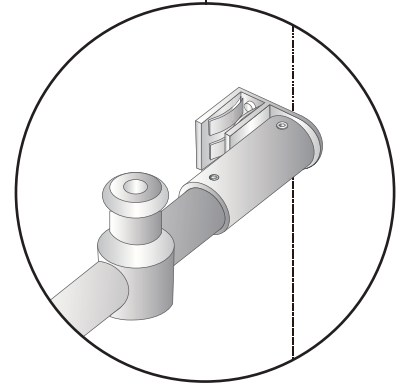
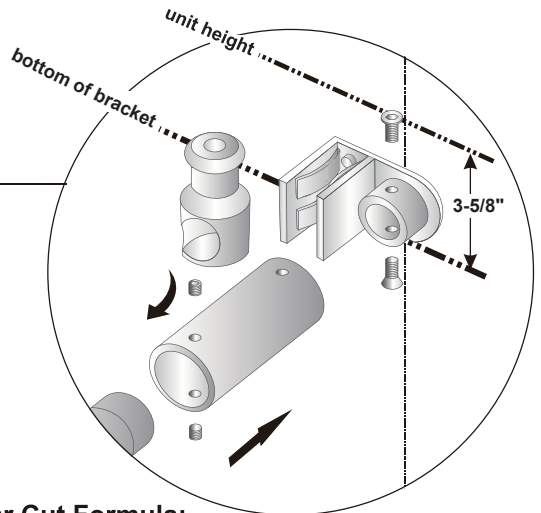


Door outside right

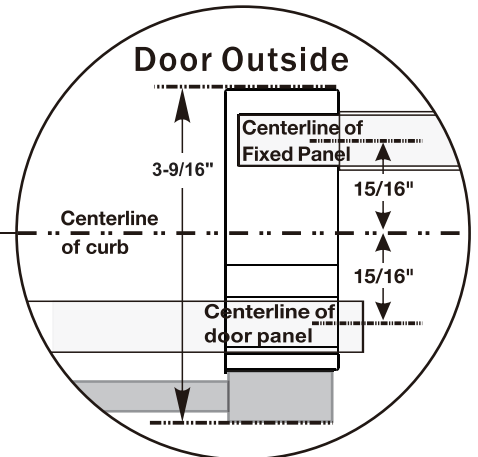
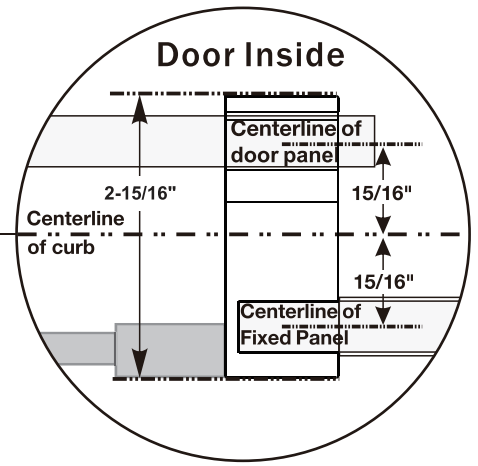
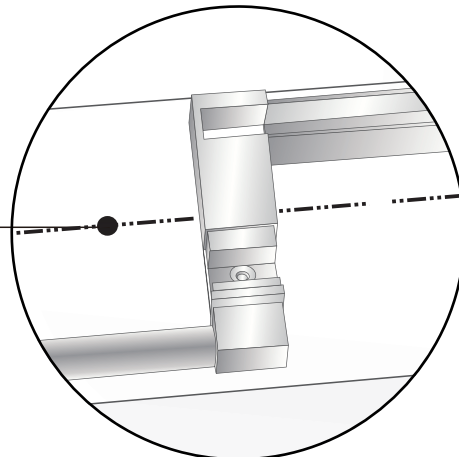
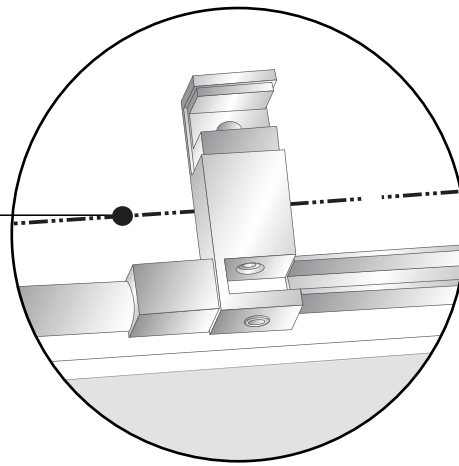
Bar Installation: Mount wall bracket on high side of curb first. Level bar to mark opposite wall for second wall bracket.



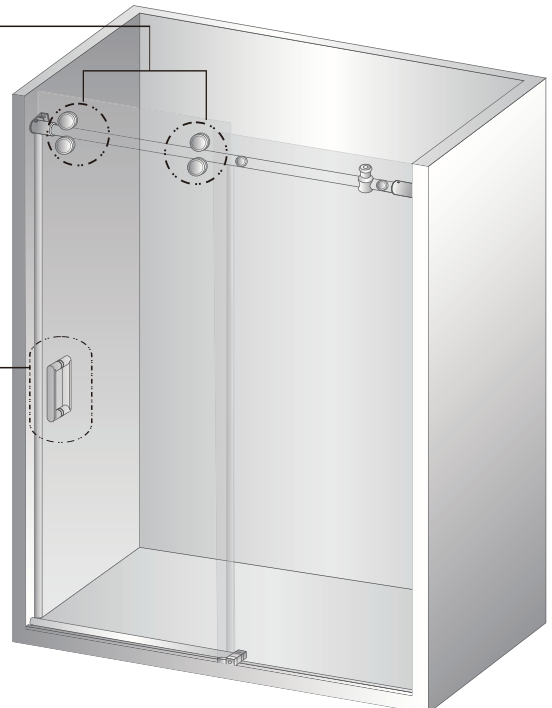
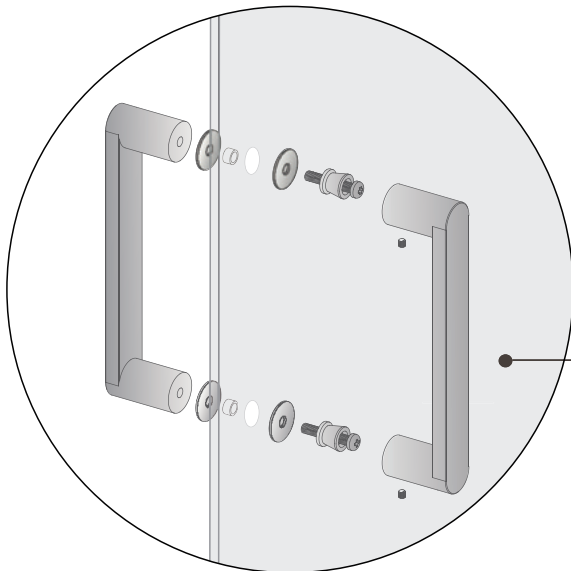
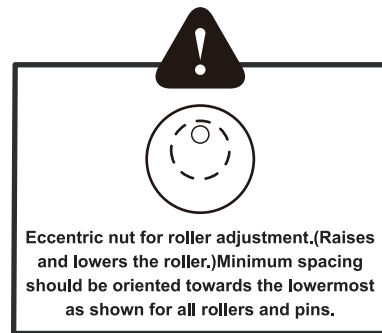
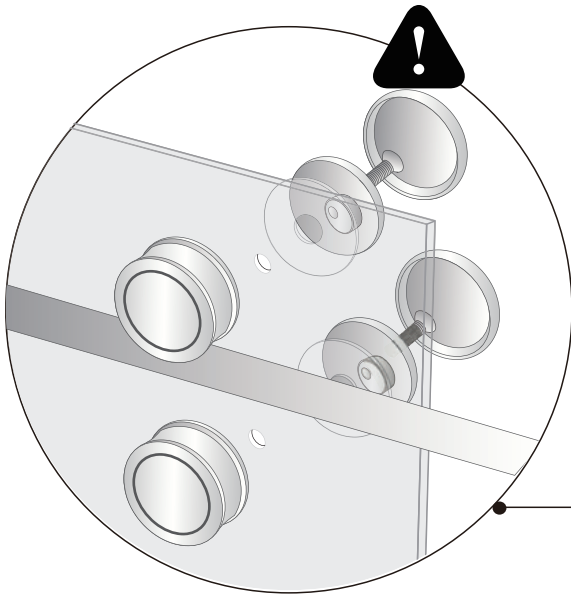
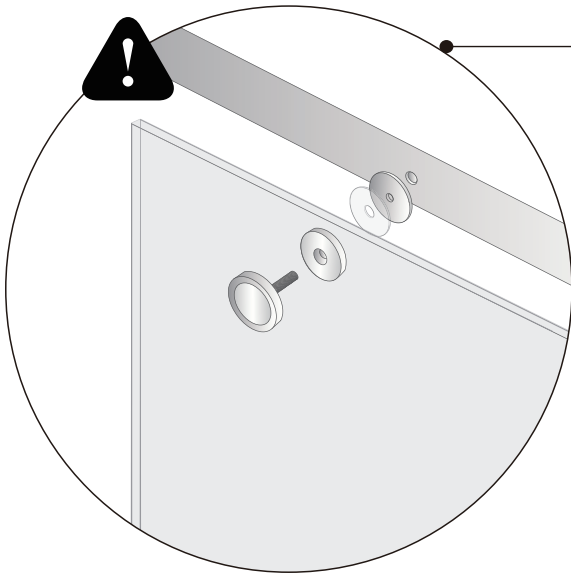
Bar Cut Formula:
overall width minus 2"



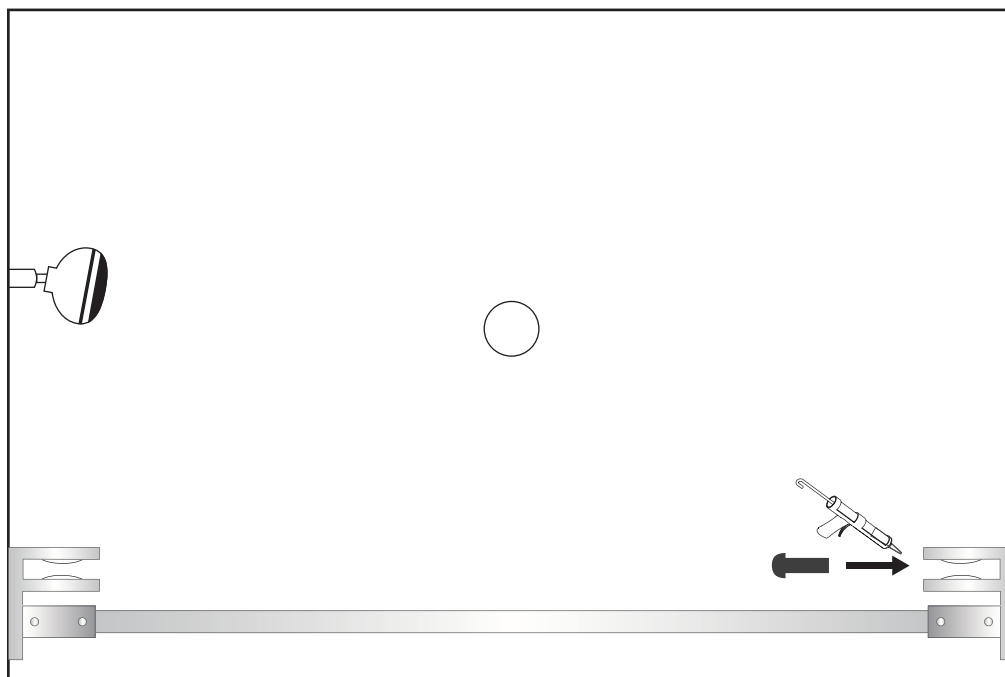
Centerline of curb



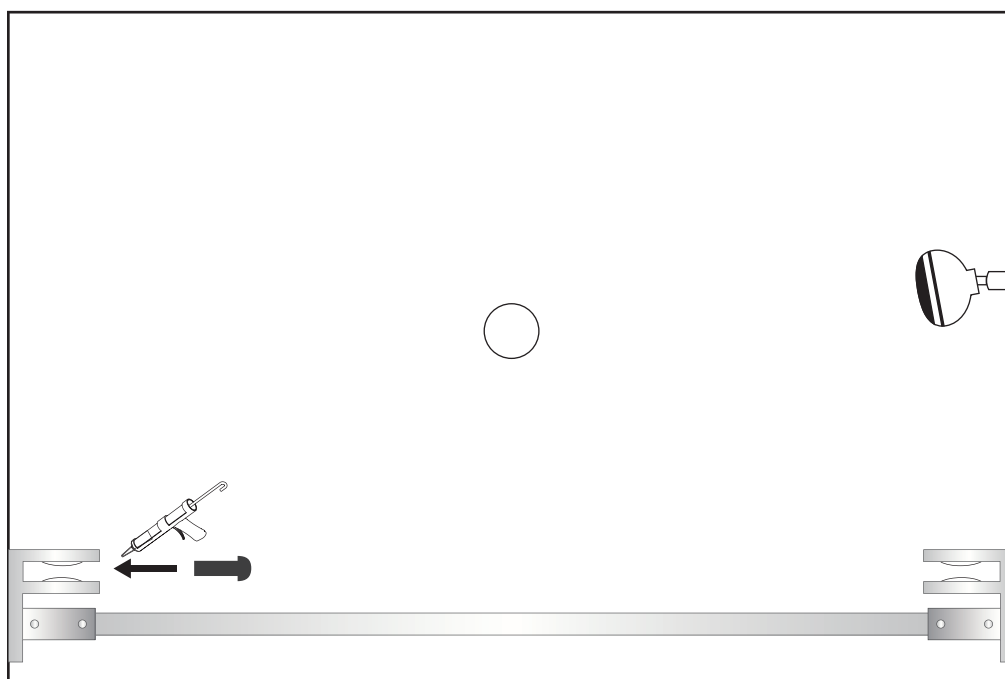
Aluminum Channel Cut Formula: overall fixed panel width minus 3/4"



For configurations with shower head to the left insert safety bumpers into wall brackets as shown



For configurations with shower head to the right insert safety bumpers into wall brackets as shown



DO NOT OPERATE DOORS WITHOUT SAFETY BUMPERS AND SEALS PROPERLY INSTALLED

◆ Seal Page



Preferred method: aluminum water guard

Optional method: polycarbonate L-seal

DO NOT OPERATE DOORS WITHOUT SAFETY BUMPERS AND SEALS PROPERLY INSTALLED