

eurotech

LUXURY SHOWER DOORS

MONTAGE

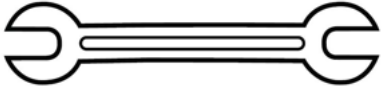
EUROGLIDE FRAMELESS SINGLE SLIDING SHOWER DOOR



Eurotech Showers

23532 Commerce Center Dr
Building B
Laguna Hills, CA 92653
949-716-4099
eurotechshowers.com

SUPER EASY INSTALL

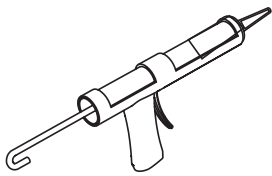


eurotech
LUXURY SHOWER DOORS

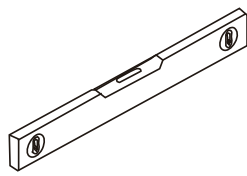


HARDWARE FITS UP TO 72" WIDE OPENING

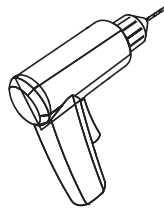
Tools Required



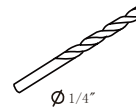
Silicone



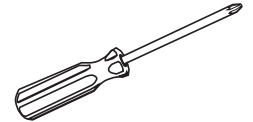
Level



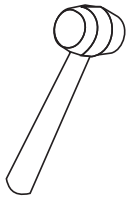
Drill



Masonry Bit



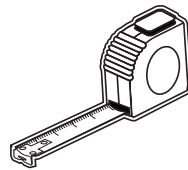
Screwdriver
(Phillips)



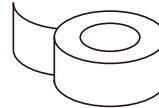
Mallet



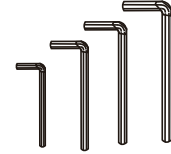
Pencil



Tape Measurer



Painters
Tape



Allen Wrenches
(included)

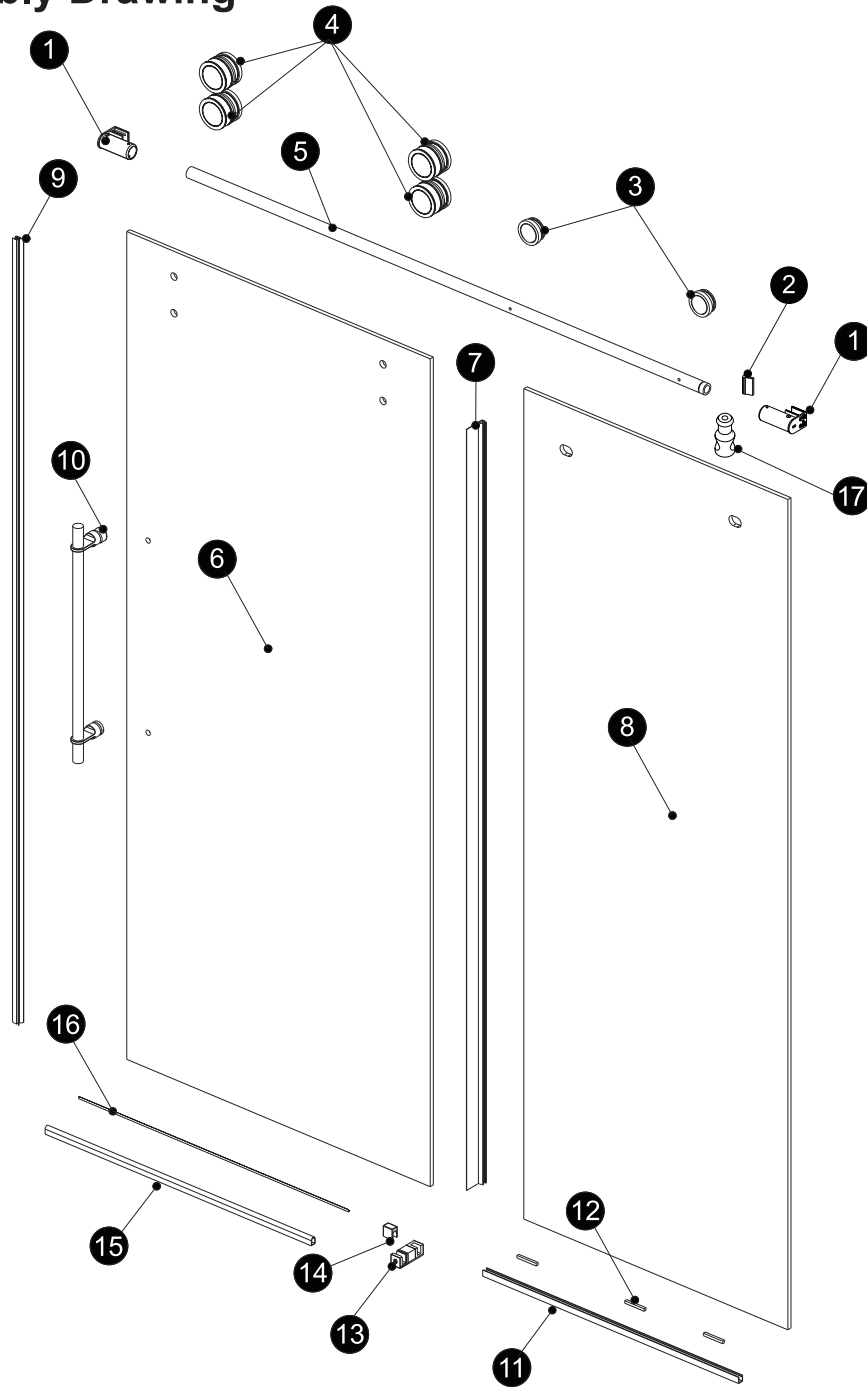


This product is heavy and may require two people to install.



Congratulations on your purchase of your Eurotech Shower door, making your shower dreams come to life.

◆ Assembly Drawing



PACKING LIST

PART #	DESCRIPTION	Q'TY	PART #	DESCRIPTION	Q'TY
1	Wall Bracket	2pcs	10	Handle	1pc
2	Safety Bumper	1pc	11	Aluminium Bottom U Channel	1pc
3	Fixed Panel Holders	2pcs	12	1/4" Cushions	3pcs
4	Roller	4pcs	13	Bottom Guide	1pc
5	Track	1pc	14	End Block	1pc
6	Door Panel	1pc	15	Aluminium Water Guard	1pc
7	F Seal	1pc	16	L Seal	1pc
8	Fixed Panel	1pc	17	Stopper	1pc
9	V Seal	1pc			



Door inside left
*this configuration is illustrated in manual



Door outside left

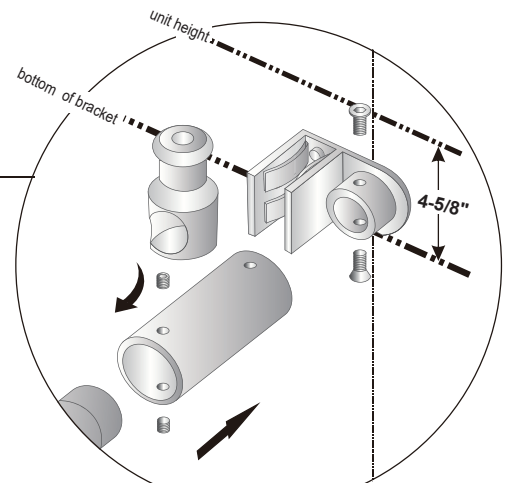
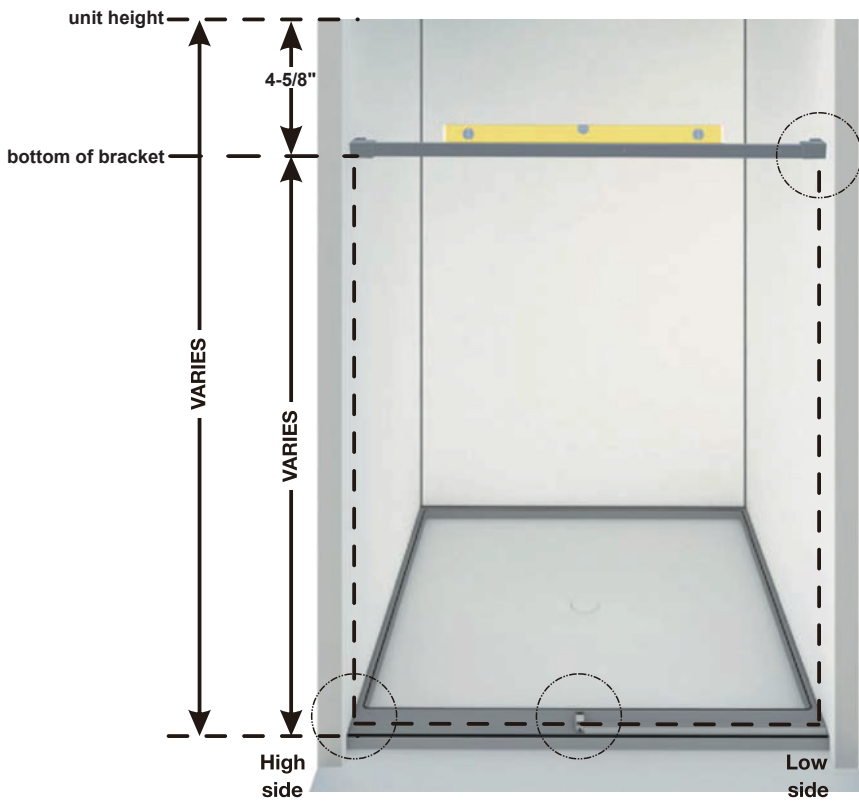


Door inside right

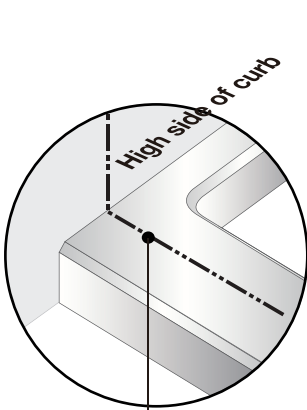
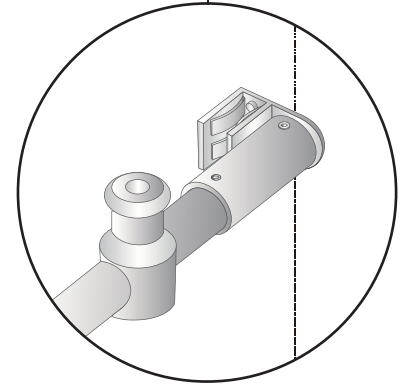


Door outside right

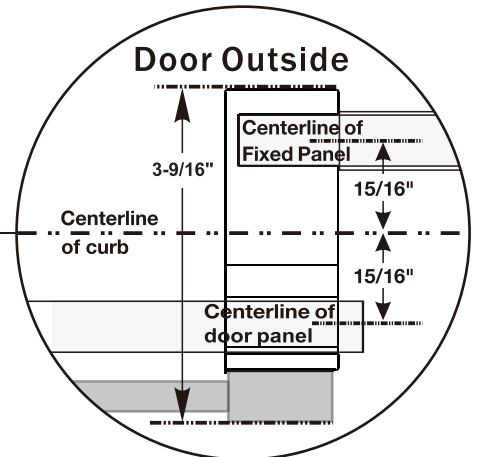
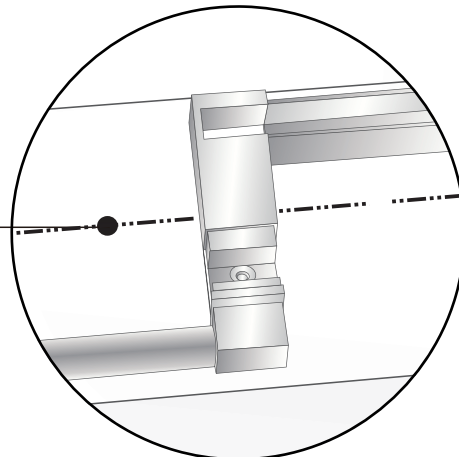
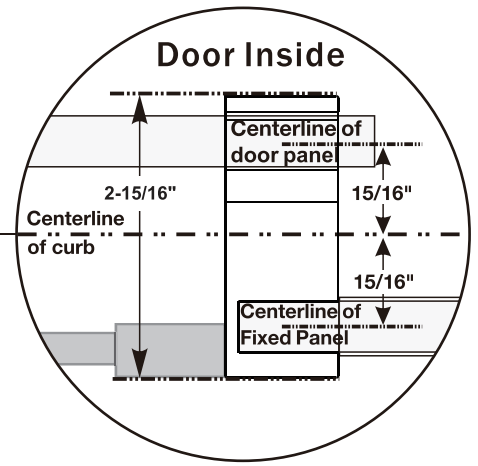
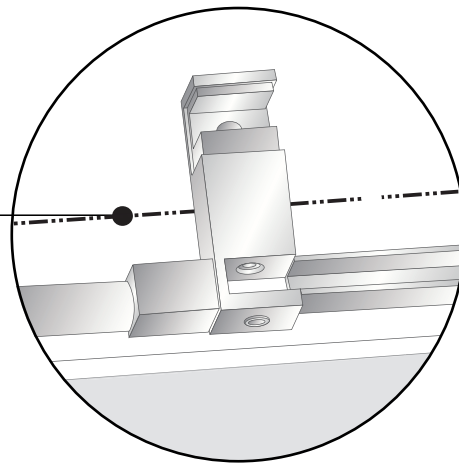
Bar Installation: Mount wall bracket on high side of curb first. Level bar to mark opposite wall for second wall bracket.



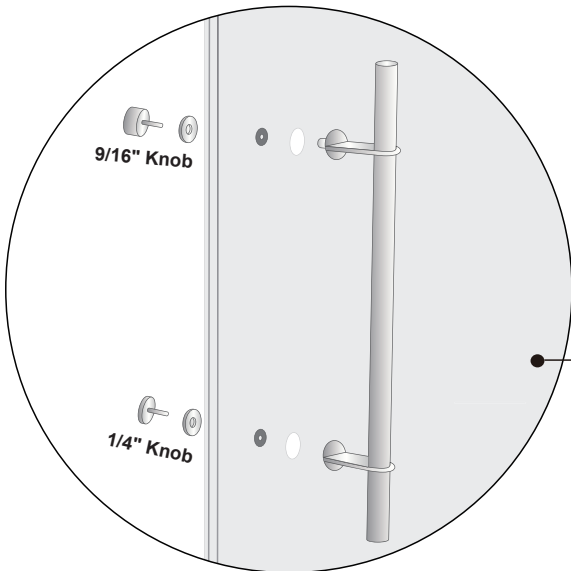
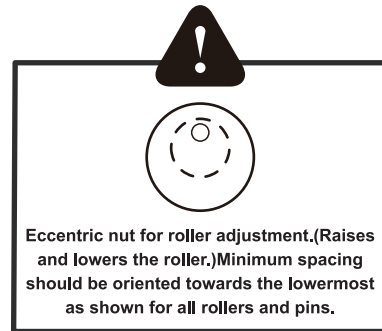
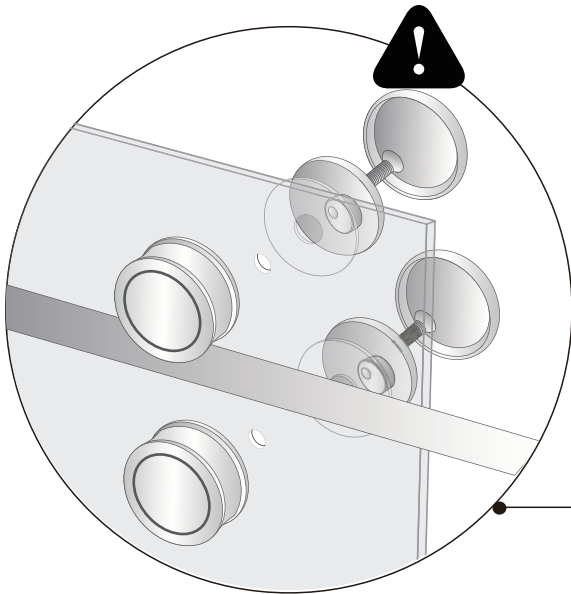
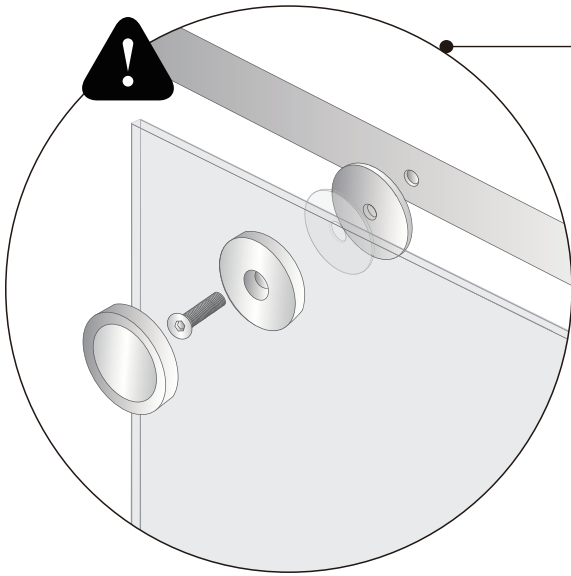
Bar Cut Formula:
overall width minus 2"



Centerline of curb

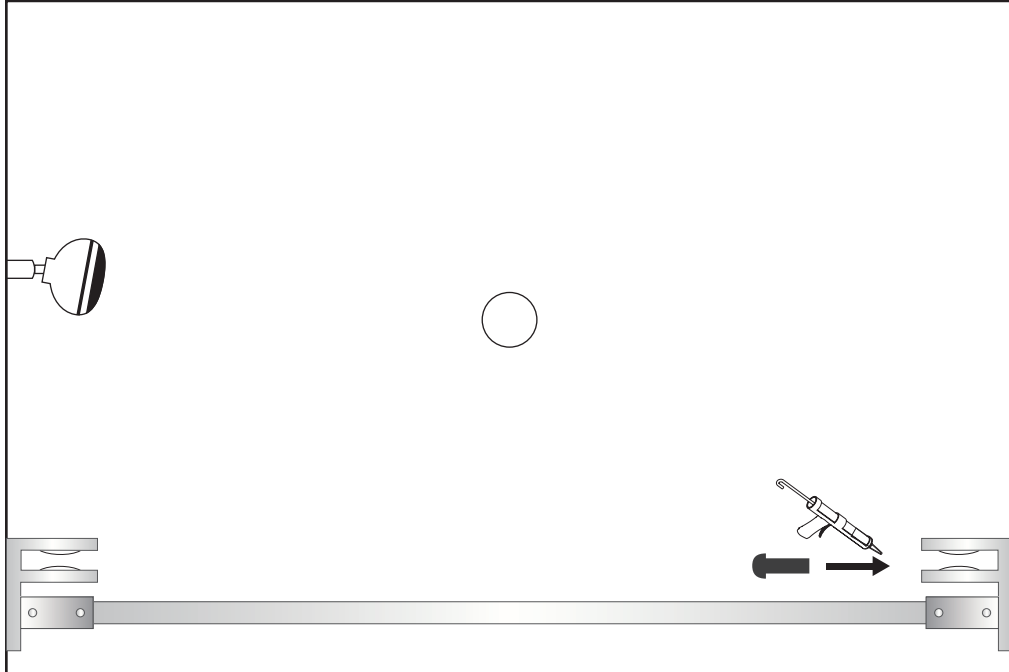


Aluminum Channel Cut Formula: overall fixed panel width minus 3/4"

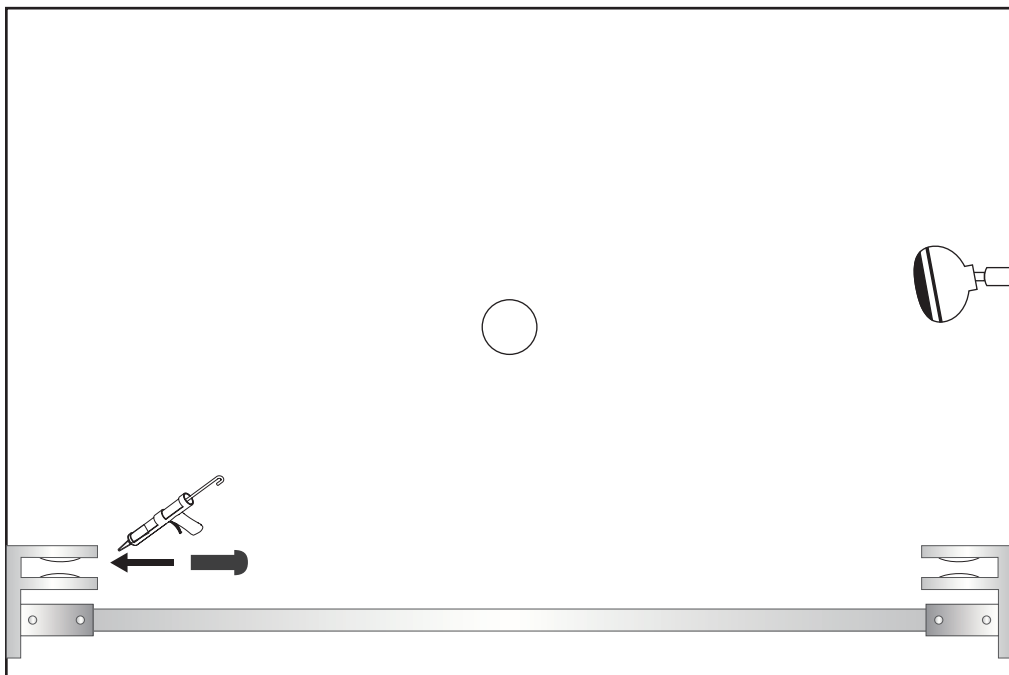


◆ Safety Bumper Page

For configurations with shower head to the left insert safety bumpers into wall brackets as shown

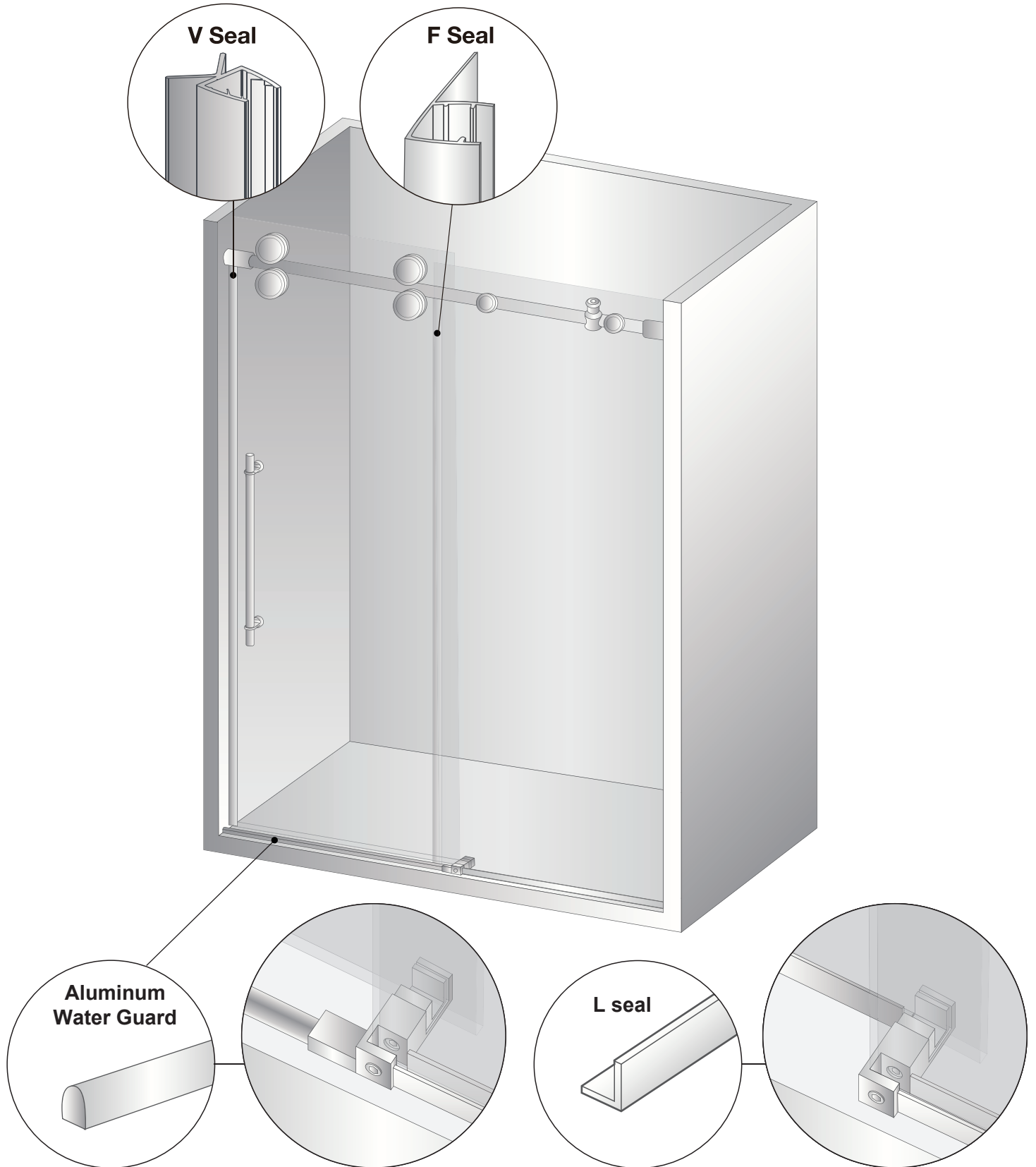


For configurations with shower head to the right insert safety bumpers into wall brackets as shown



DO NOT OPERATE DOORS WITHOUT SAFETY BUMPERS AND SEALS PROPERLY INSTALLED

◆ Seal Page



Preferred method: aluminum water guard

Optional method: polycarbonate L-seal

DO NOT OPERATE DOORS WITHOUT SAFETY BUMPERS AND SEALS PROPERLY INSTALLED