

# eurotech

LUXURY SHOWER DOORS

## MONTAGE

### EUROGLIDE FRAMELESS SINGLE SLIDING SHOWER DOOR



#### **Eurotech Showers**

23532 Commerce Center Dr  
Building B  
Laguna Hills, CA 92653  
949-716-4099  
[eurotechshowers.com](http://eurotechshowers.com)

SUPER EASY INSTALL

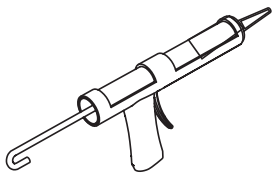


eurotech  
LUXURY SHOWER DOORS

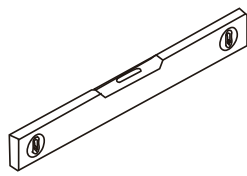


HARDWARE PRE-CUT TO FIT 57" TO 59" WIDE OPENINGS

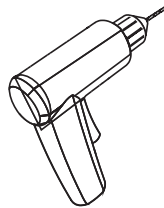
## Tools Required



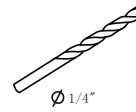
Silicone



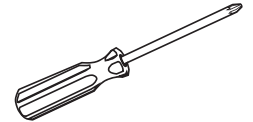
Level



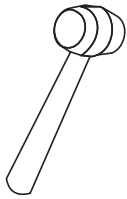
Drill



Masonry Bit



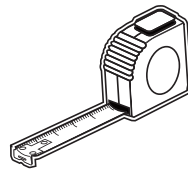
Screwdriver  
(Phillips )



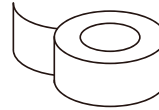
Mallet



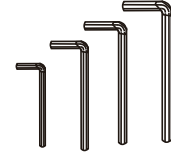
Pencil



Tape Measurer



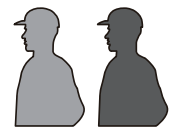
Painters  
Tape



Allen Wrenches  
(included)

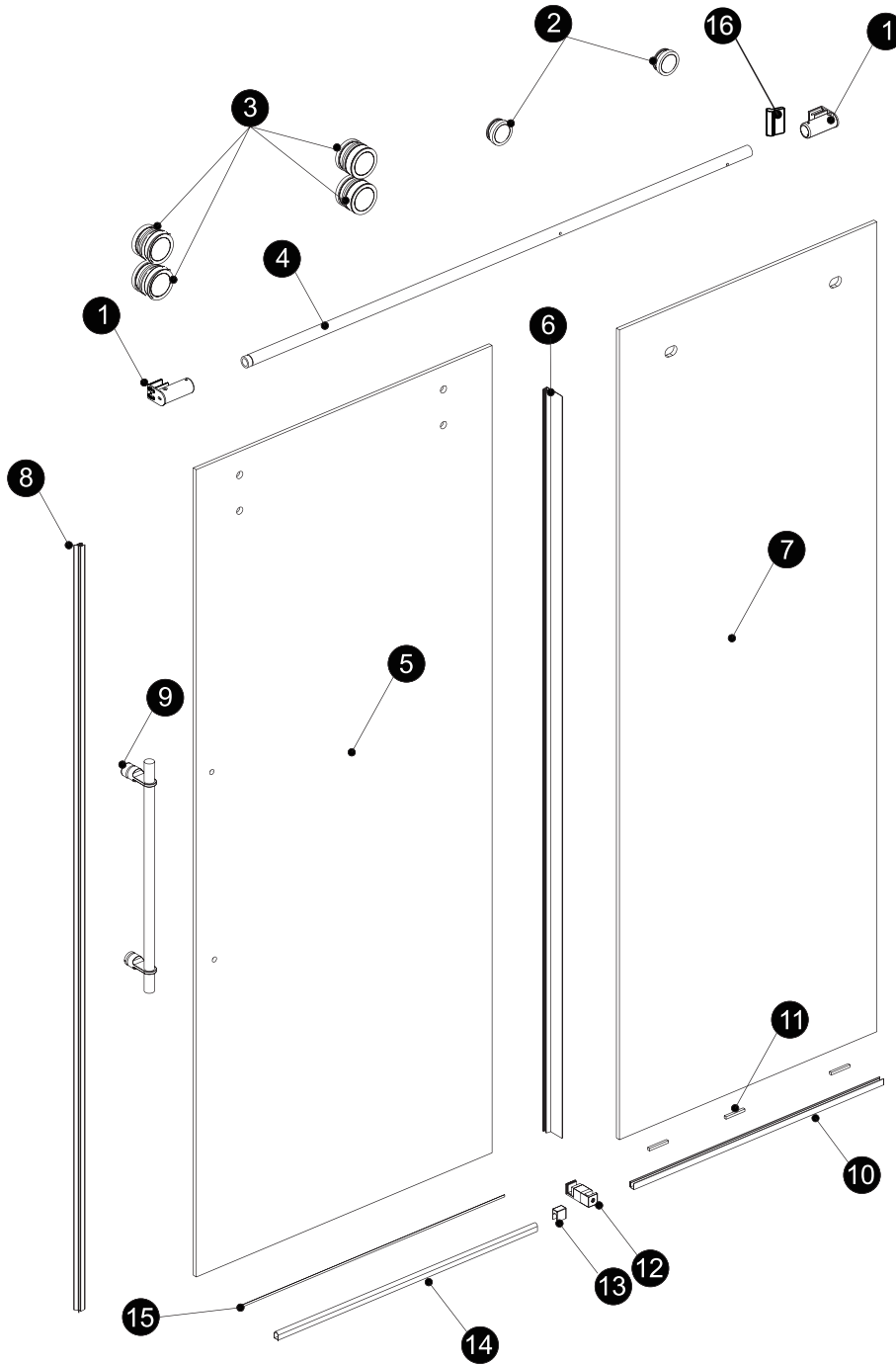


This product is heavy and may require two people to install.



*Congratulations on your purchase of your Eurotech Shower door, making your shower dreams come to life.*

# ◆ Assembly Drawing



## PACKING LIST

PART #	DESCRIPTION	Q'TY	PART #	DESCRIPTION	Q'TY
1	Wall Bracket	2pcs	9	Handle	1pc
2	Fixed Panel Holders	2pcs	10	Aluminium Bottom U Channel	1pc
3	Roller	4pcs	11	1/4" Cushions	3pcs
4	Track	1pc	12	Bottom Guide	1pc
5	Door Panel	1pc	13	End Block	1pc
6	F Seal	1pc	14	Aluminium Water Guard	1pc
7	Fixed Panel	1pc	15	L Seal	1pc
8	V Seal	1pc	16	Safety Bumper	1pc



Door inside left  
\*this configuration is illustrated in manual



Door outside left

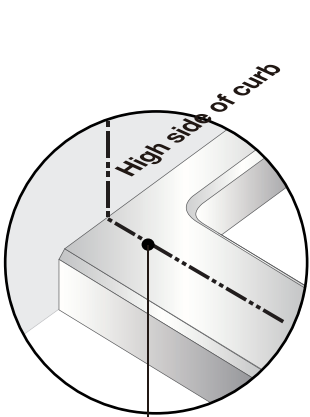
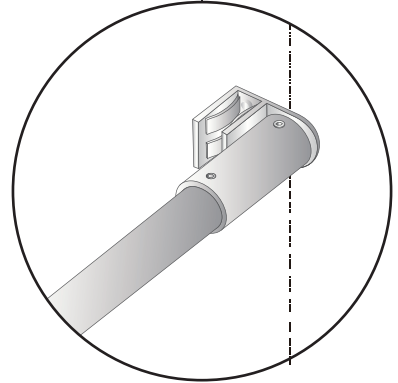
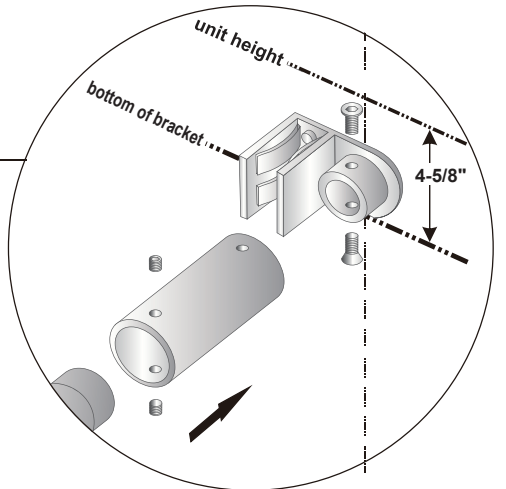
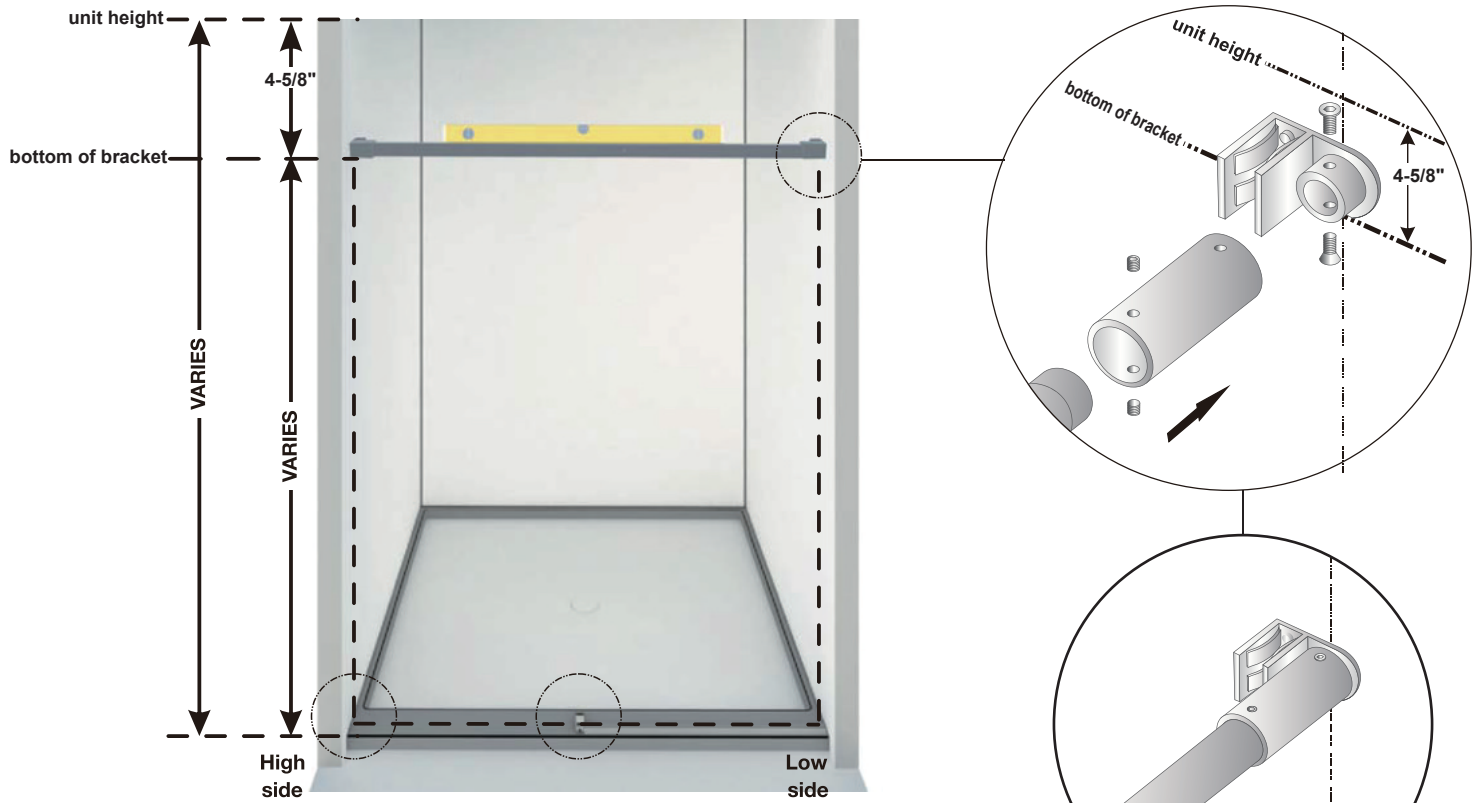


Door inside right

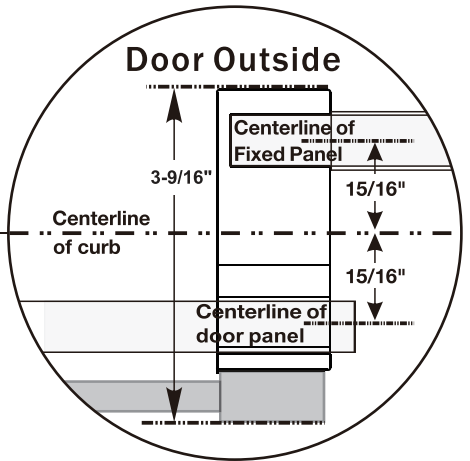
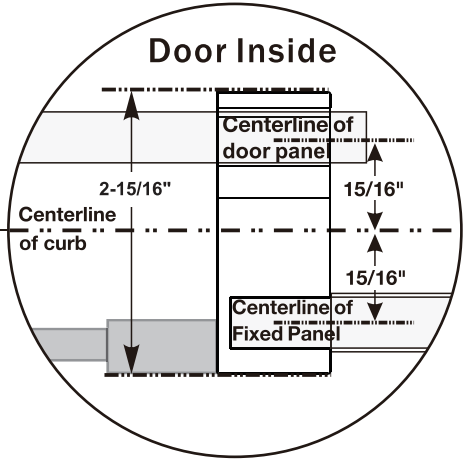
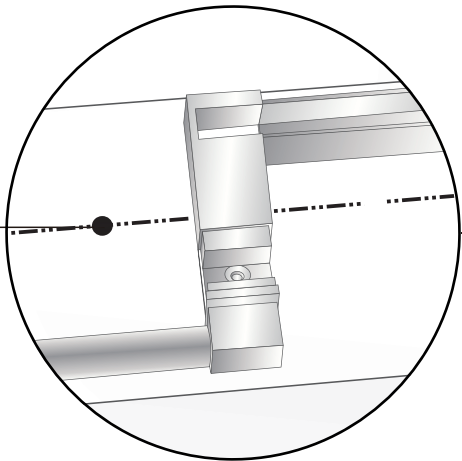
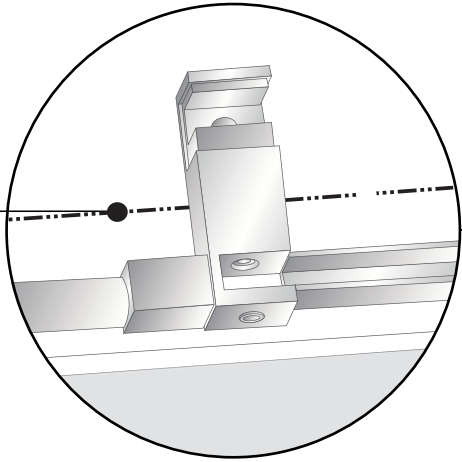


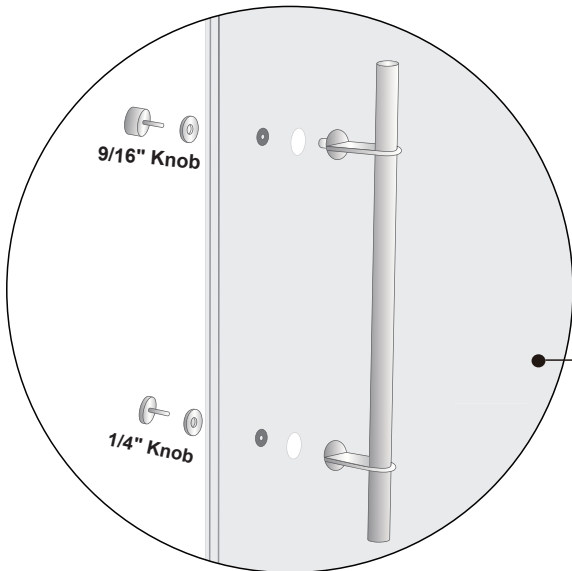
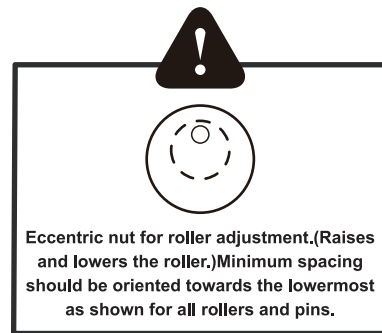
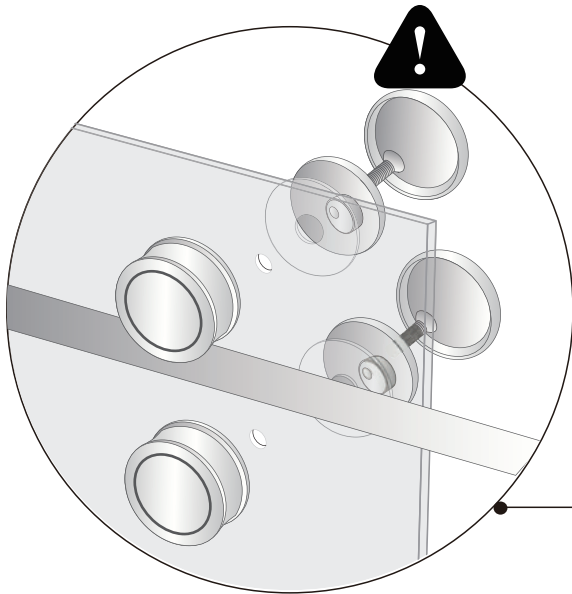
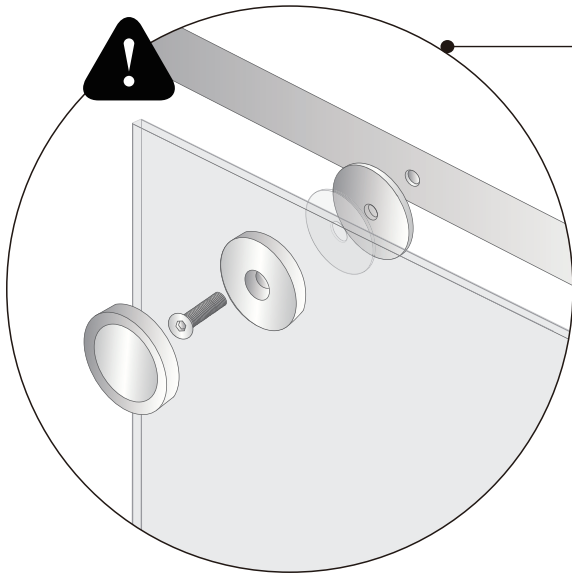
Door outside right

Bar Installation: Mount wall bracket on high side of curb first. Level bar to mark opposite wall for second wall bracket.



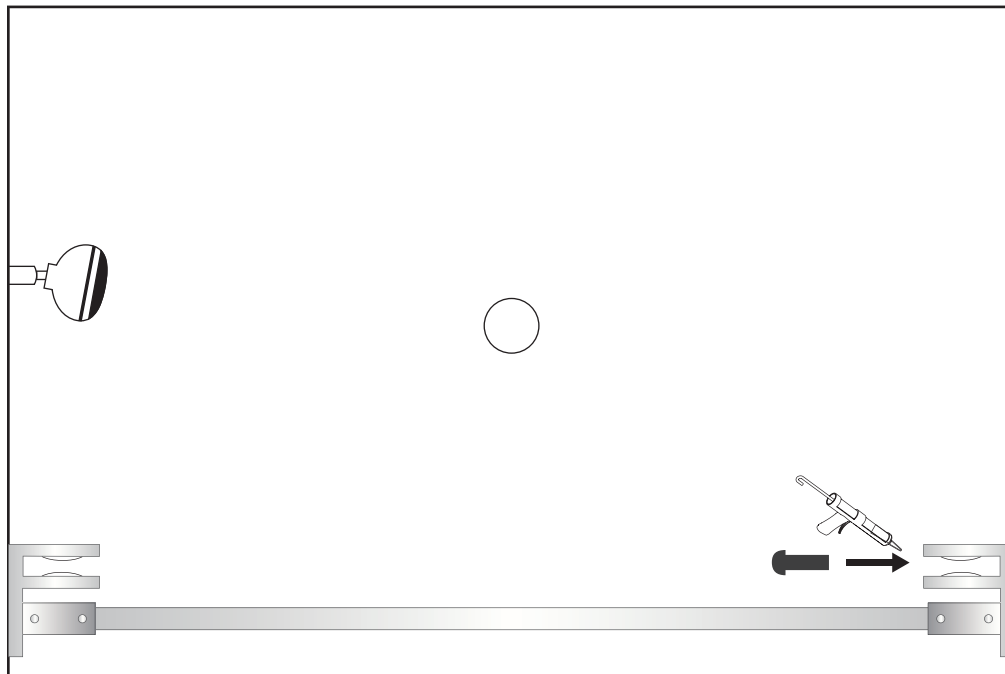
Centerline of curb



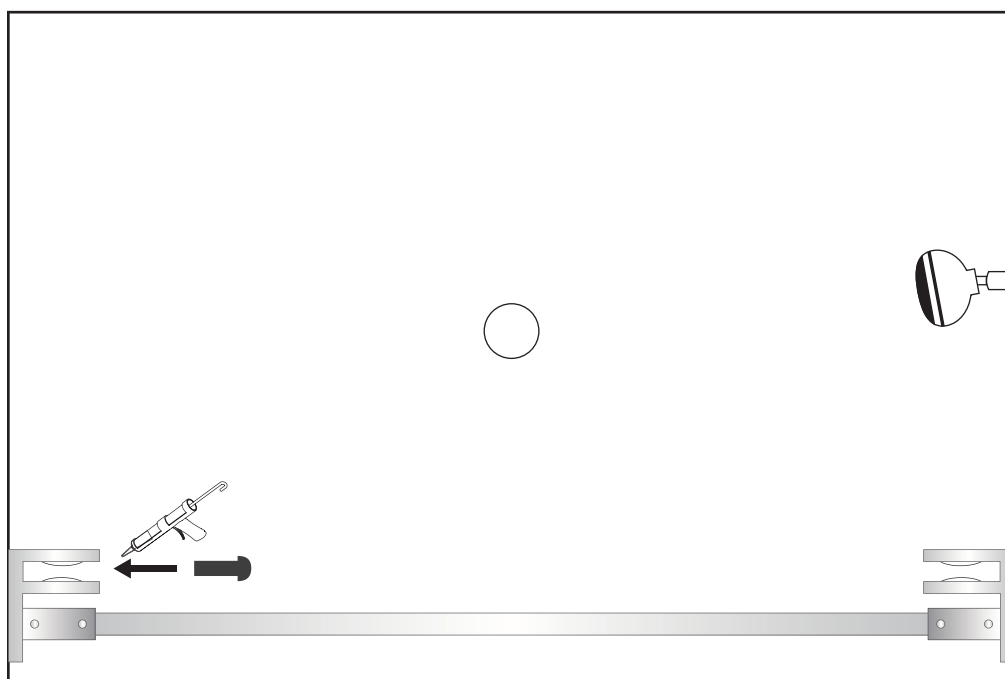




For configurations with shower head to the left insert safety bumpers into wall brackets as shown

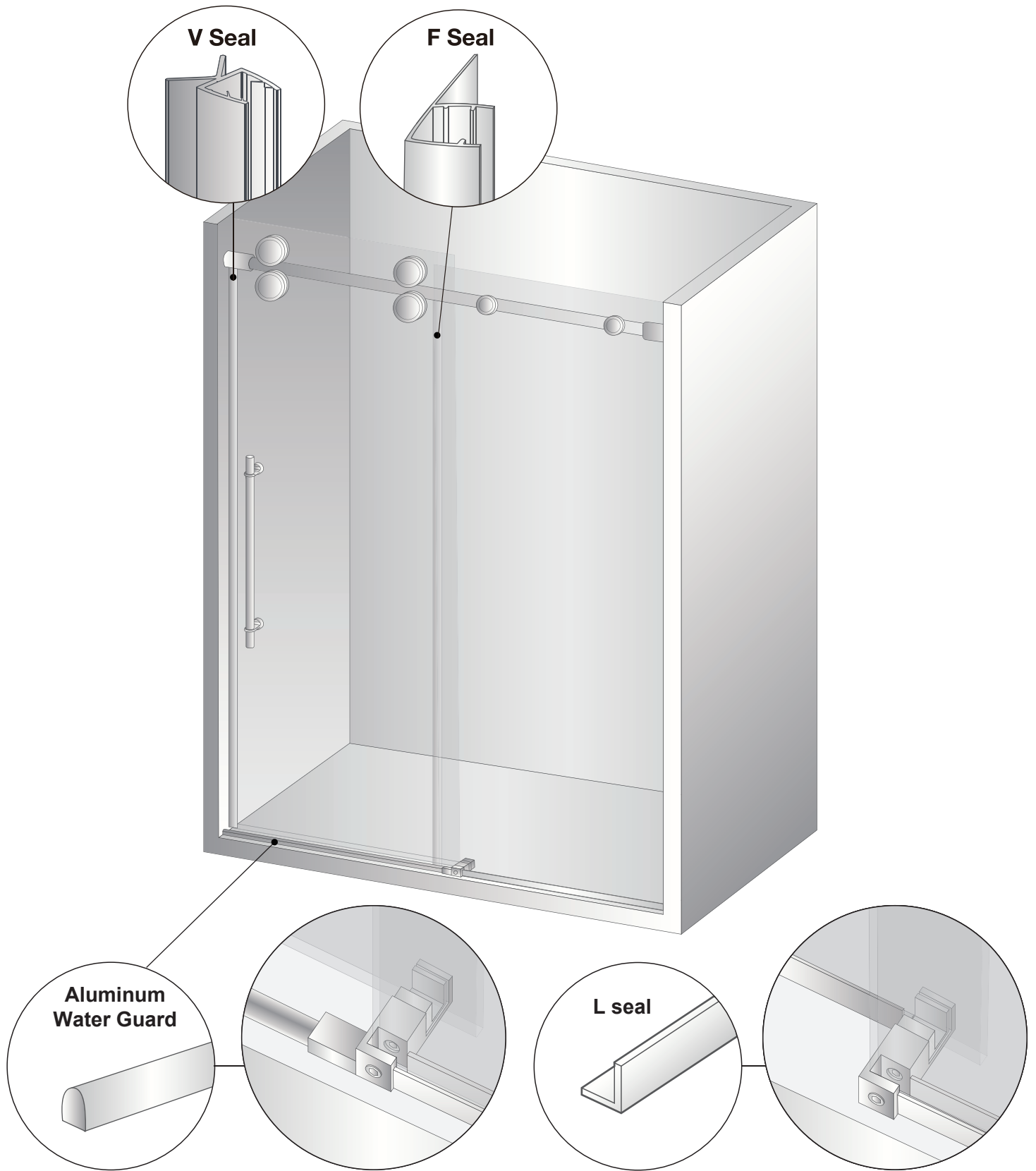


For configurations with shower head to the right insert safety bumpers into wall brackets as shown



**DO NOT OPERATE DOORS WITHOUT SAFETY BUMPERS AND SEALS PROPERLY INSTALLED**

◆ Seal Page



Preferred method: aluminum water guard

Optional method: polycarbonate L-seal

**DO NOT OPERATE DOORS WITHOUT SAFETY BUMPERS AND SEALS PROPERLY INSTALLED**