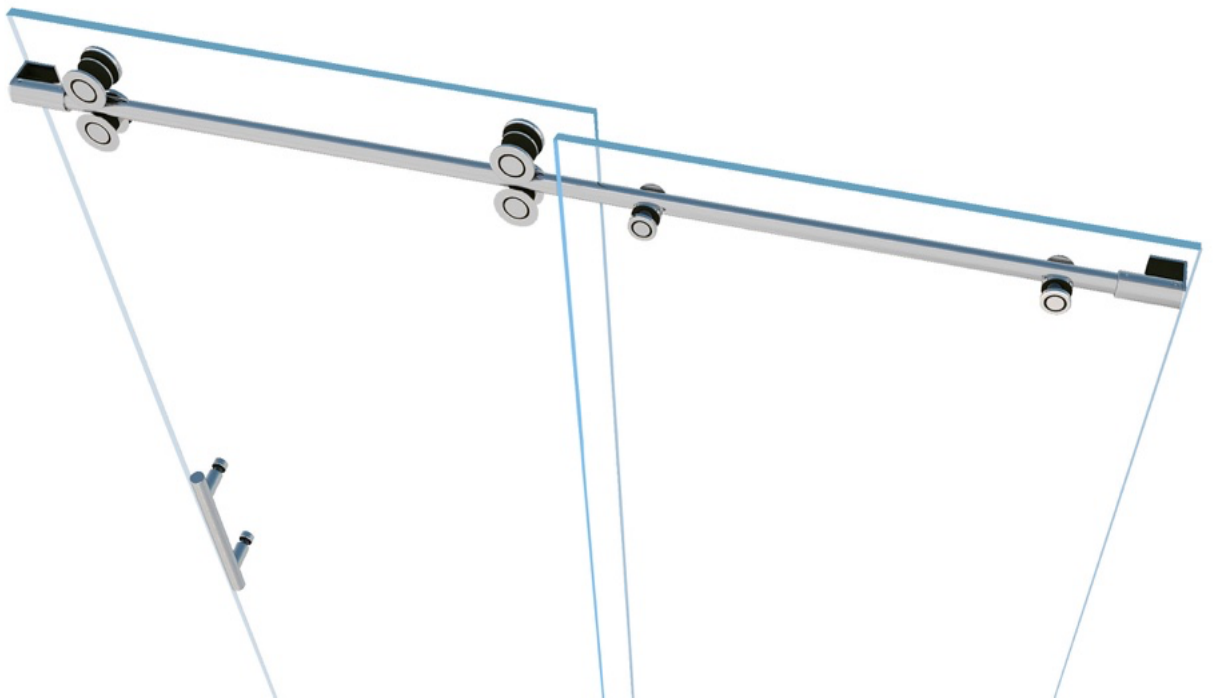


# eurotech

LUXURY SHOWER DOORS

## AVALON

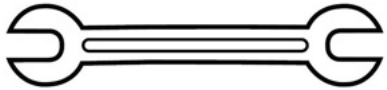
### EUROGLIDE FRAMELESS SINGLE SLIDING SHOWER DOOR



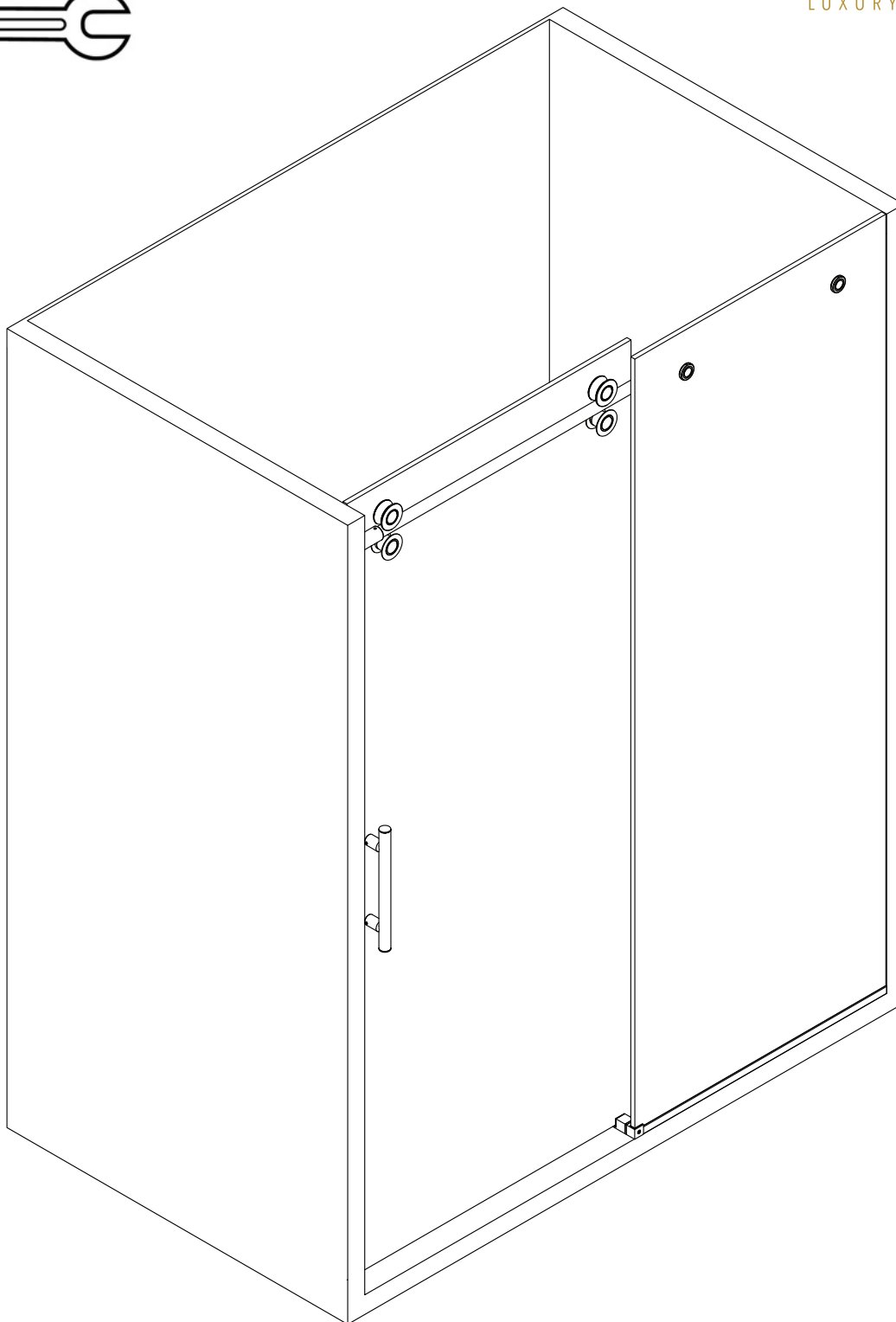
#### **Eurotech Showers**

23532 Commerce Center Dr  
Building B  
Laguna Hills, CA 92653  
949-716-4099  
[eurotechshowers.com](http://eurotechshowers.com)

SUPER EASY INSTALL



eurotech  
LUXURY SHOWER DOORS



STANDARD (AVA6078) : PRE-CUT TO FIT 56-1/2" TO 60" WIDE OPENING

**DANGER** : IF THIS SHOWER IS INSTALLED IN AN OPENING OVER 60", THIS COULD RESULT IN SERIOUS INJURY. REFER TO PAGES 1-5

CUSTOM (AVA7284) : FITS UP TO 72" WIDE OPENING

**DANGER**: IF THIS SHOWER IS INSTALLED IN AN OPENING OVER 72", THIS COULD RESULT IN SERIOUS INJURY. REFER TO PAGES 1-3 & 6-7

## ◆ General Information

Please inspect the product immediately upon receipt for transit damage, missing packs/parts or manufacturing fault. Damage reported later cannot be accepted. Please handle the product with care avoiding knocks and shock loading to all sides and edges of the glass.

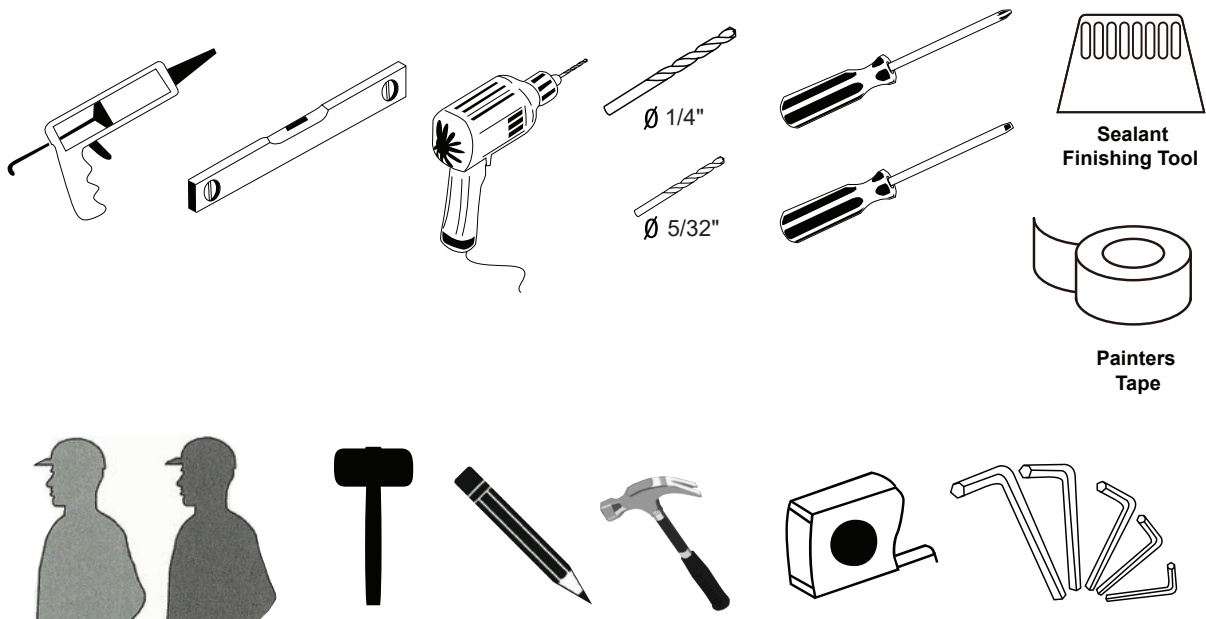
**Notes: Safety glass can not be re-worked.**

Please read these instructions carefully before start of installation.  
Special care should be taken when drilling walls to avoid hidden pipes or electrical cables.  
Note: This product is heavy and may require two people to install.

## Aftercare instructions

After use, your shower should be cleaned with soap and water. This is particularly important in hard water districts where insoluble lime salts maybe deposited and allowed to build up. Cleaners of a gritty or abrasive nature should not be used. Care should be taken to avoid contact with strong chemicals, they can be used but with caution, if in doubt contact the manufacturer of the cleaner in question.  
Please keep these instructions for aftercare and customer service details.

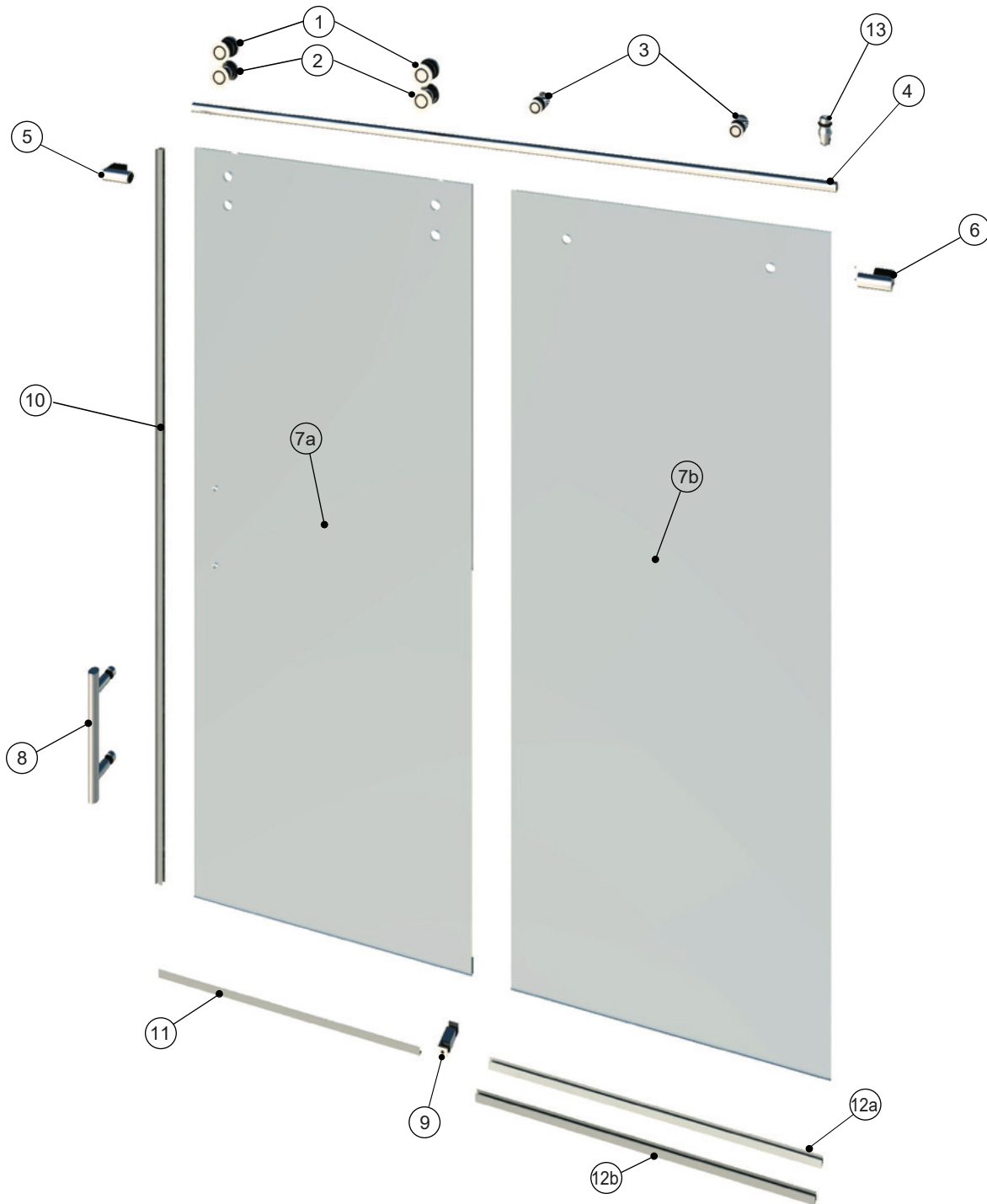
## Tools Required



Note: This product is heavy and may require two people to install.



◆ Assembly Drawing



**REQUIRED PARTS**

Description	QTY	Description	QTY
1 Roller	2 pcs	8 Handle	1 pc
2 Anti-lift Pin	2 pcs	9 Floor Guide	1 pc
3 Track Holder	2 pcs	10 V Seal for 3/8" or 1/2"(10mm or 12.7mm) glass	2 pcs
4 Track Bar	1 pc	11 L Seal	1 pc
5 Wall Fixing (close side)	1 pc	12a U-channel for 3/8" (10mm) glass	1 pc
6 Wall Fixing (open side)	1 pc	12b U-channel for 1/2" (12.7mm) glass	1 pc
7a Glass Panel (sliding door)	1 pc	13 Stopper(for AVA7284)	1 pc
7b Glass Panel (fixed panel)	1 pc		

## Four Configurations



Configuration 1  
Door Inside, Left



Configuration 2  
Door Inside, Right

☞ This Configurations  
is illustrated in this Manual



Configuration 3  
Door Outside, Left



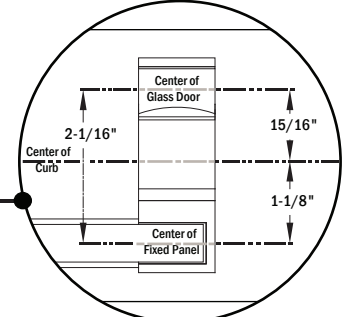
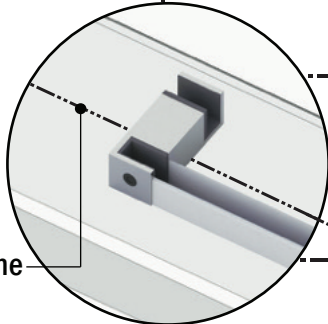
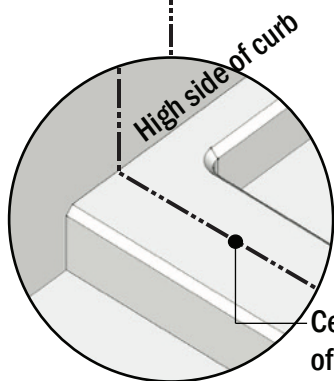
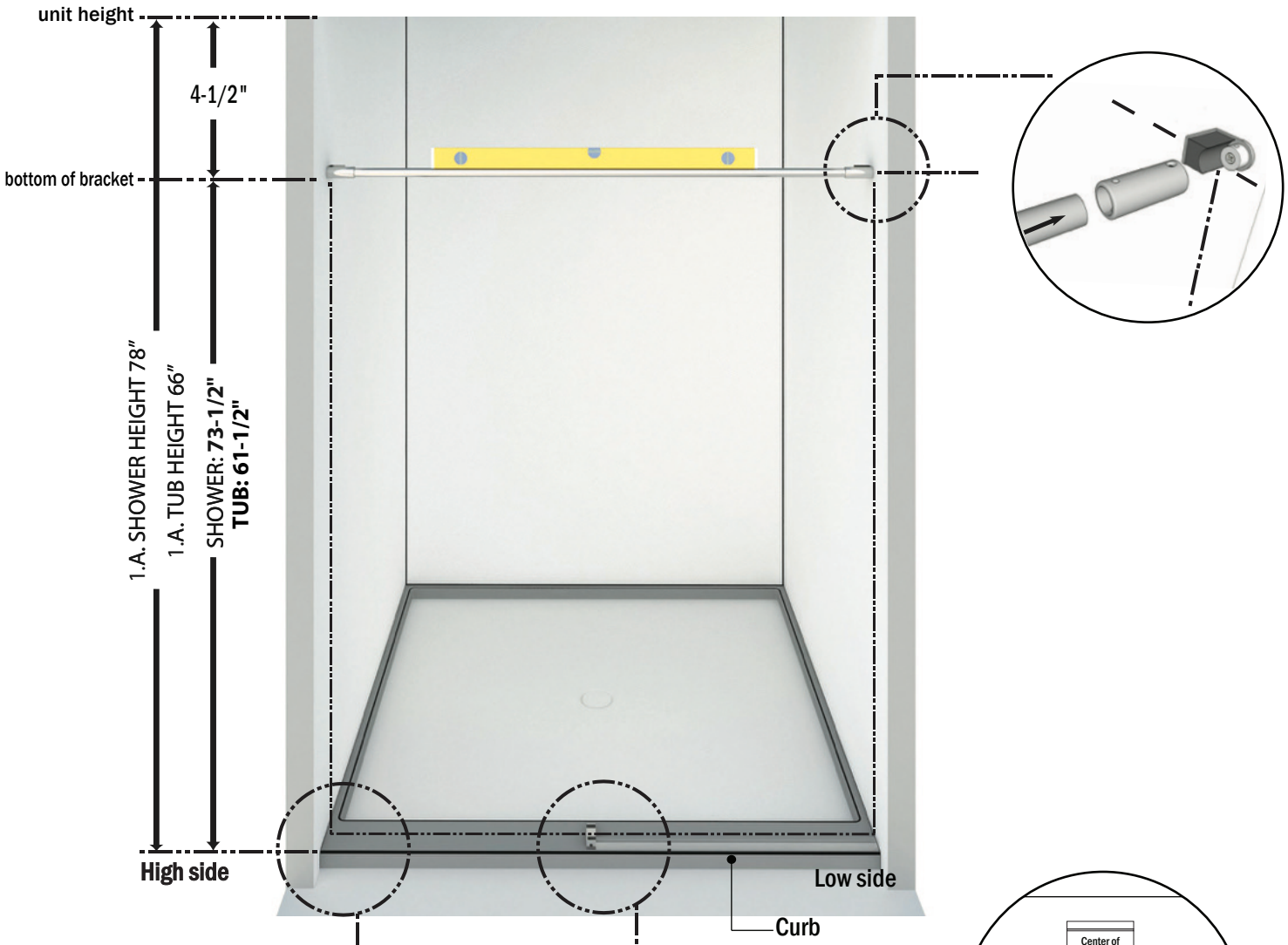
Configuration 4  
Door Outside, Right

**NOTE:** The Avalon enclosure is reversible for left or right side shower head configurations. This manual will show configuration 1 the left side shower head installation. For right side shower head installation, simply begin on the opposite wall and reverse the orientation of the parts as necessary.

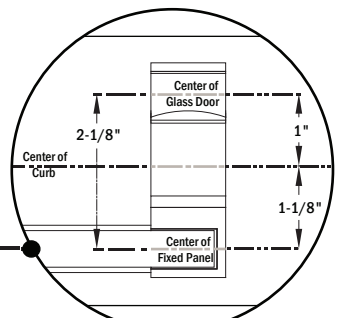
**STANDARD (AVA6078)**

**Bar Installation**

Mount wall bracket on **high side** of curb first. Level bar to mark opposite wall for second wall bracket.

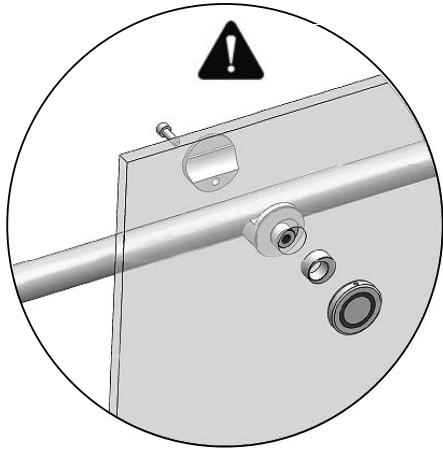


For 3/8" (10mm) Glass

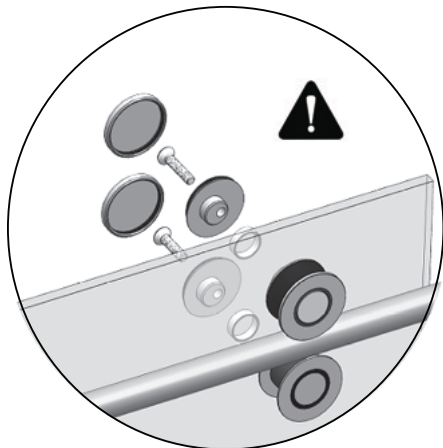
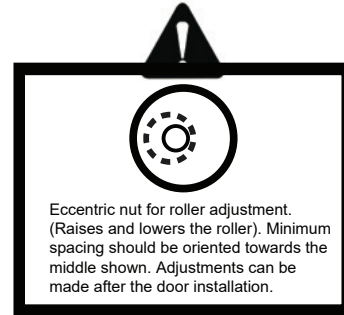


For 1/2" (12mm) Glass

**CHANNEL LENGTH = FIXED PANEL WIDTH MINUS 11/16"**



NOTE: TIGHTEN CAP ON, STANDOFF AGAINST GLASS BEFORE TIGHTENING ALLEN SCREW BEHIND BAR

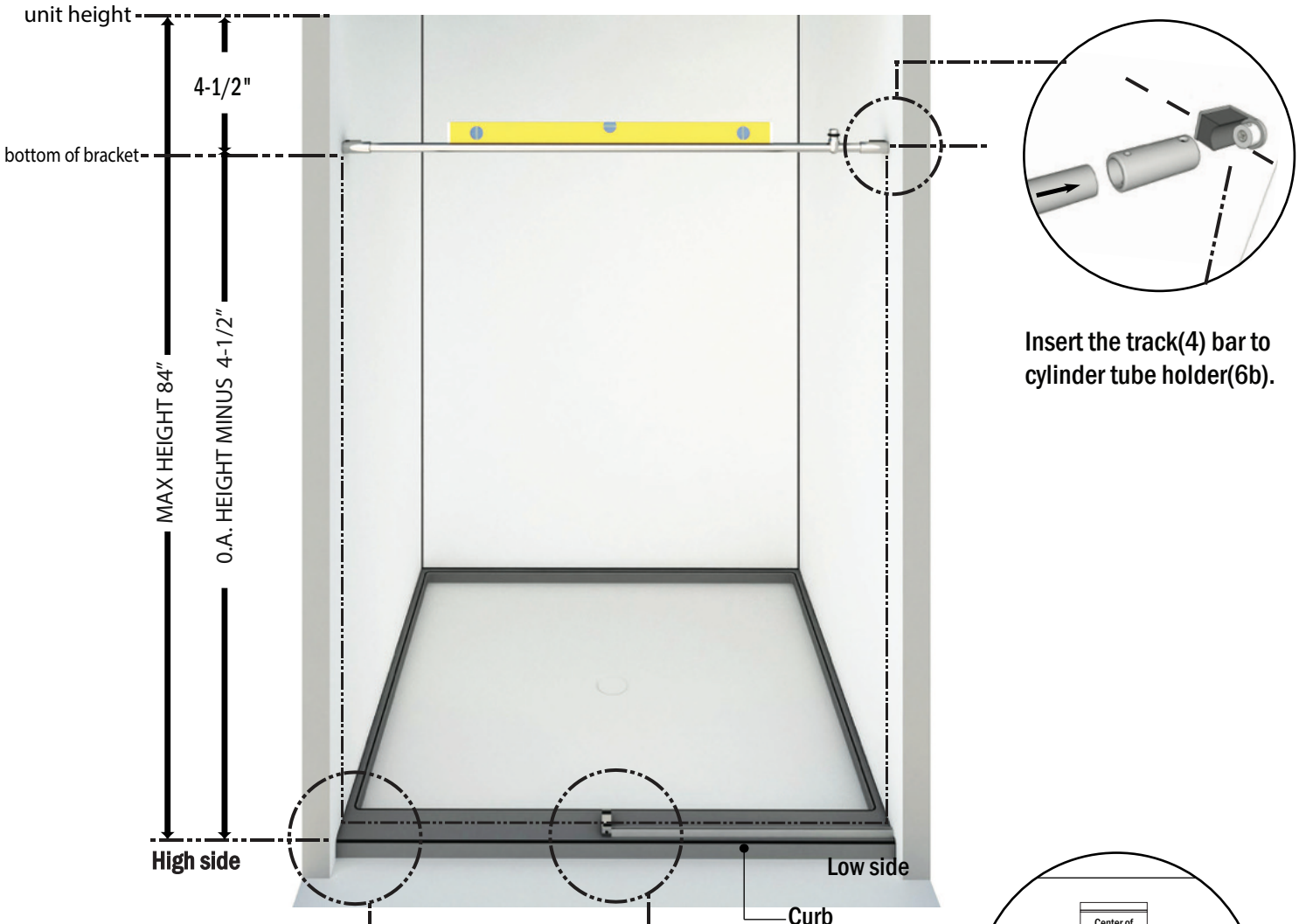


**CUSTOM (AVA7284)**

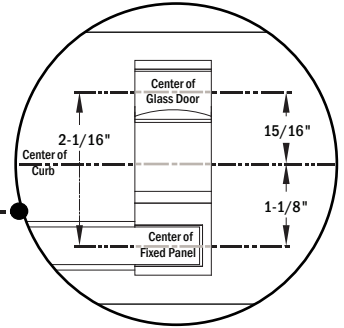
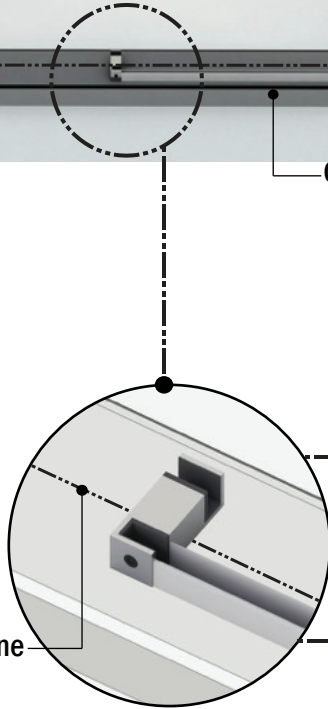
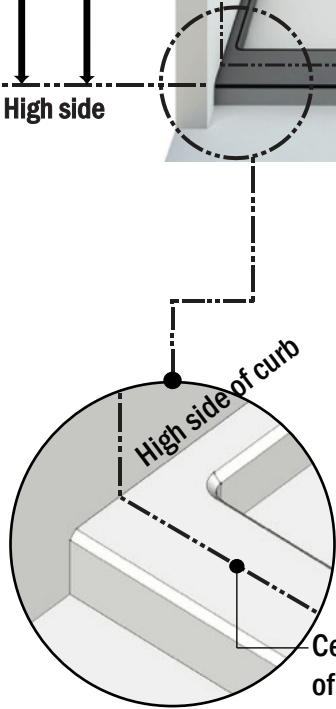
**Bar Installation**

Mount wall bracket on **high side** of curb first. Level bar to mark opposite wall for second wall bracket.

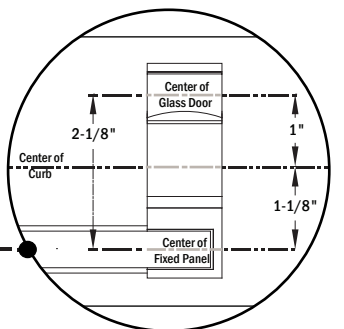
**BAR LENGTH = OPENING WIDTH MINUS 1-3/4"**



Insert the track(4) bar to cylinder tube holder(6b).



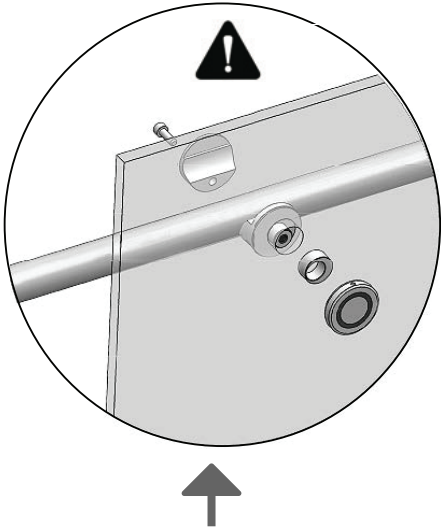
For 3/8" (10mm) Glass



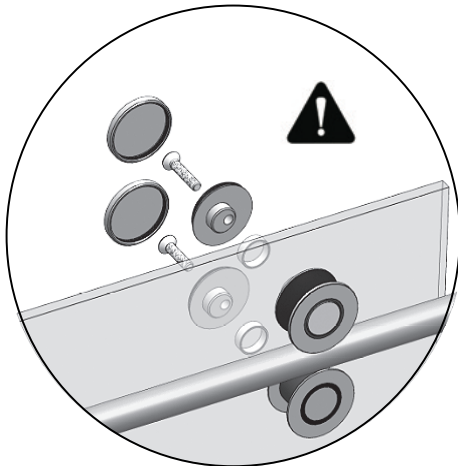
For 1/2" (12mm) Glass

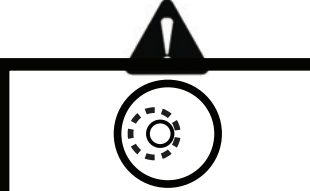
**CHANNEL LENGTH = FIXED PANEL WIDTH MINUS 11/16"**

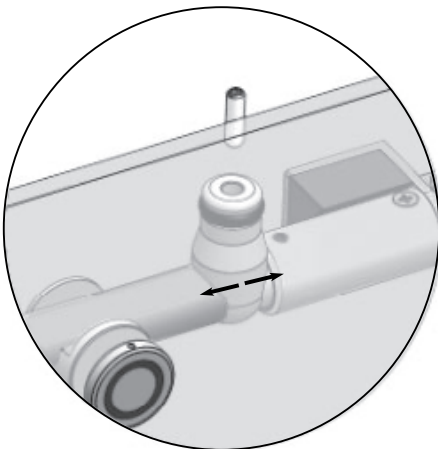




NOTE: TIGHTEN CAP ON, STANDOFF AGAINST GLASS BEFORE TIGHTENING ALLEN SCREW BEHIND BAR



  
Eccentric nut for roller adjustment.  
(Raises and lowers the roller). Minimum spacing should be oriented towards the middle shown. Adjustments can be made after the door installation.



## Seals Installation

